

MICRO-TEMP[®] LT

Operation and Technical Manual

Model 749 Localized Therapy Units



GENTHERM

Gentherm Medical, LLC. • 12011 Mosteller Road • Cincinnati, Ohio 45241, U.S.A.

www.gentherm.com

MICRO-TEMP[®] LT, MAXI-THERM[®], MAXI-THERM[®] LITE, PLASTIPAD[®], GELLI-ROLL[®], and TEMP-PAD[®] are registered trademarks of Gentherm Medical, LLC., Cincinnati, Ohio USA.

©Copyright 2025, Gentherm Medical, LLC. All rights reserved.

Manual 57203 Rev. AA

MICRO-TEMP® LT Symbols / Definitions



Attention: Read
Operation Instructions
and Manual Before
Operating



Temperature Set



Water
Temperature



Temperature Set
Point Indicator



Increasing
Temperature



Display
Celsius



Decreasing
Temperature



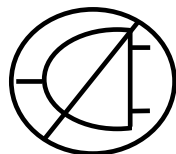
Temperature Set

O / I

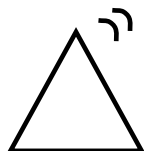
OFF / ON Switch



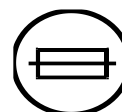
Low Water Level



Power Failure



CAUTION



Fuse



AC Voltage



Disconnect Power Before
Servicing



Danger; Risk of
Electric Shock



Risk of Explosion:
Do not use in the
Presence of Flammable
Anesthetics



Separate Disposal for
Electrical / Electronic
Equipment



Type BF
Equipment



Earth (Ground)



Equipotentiality



INCREMENT
(Increase
Temperature)



DECREMENT
(Decrease
Temperature)



ESD
Susceptibility

MICRO-TEMP® LT OPERATION AND TECHNICAL MANUAL

Gentherm Medical, LLC., reserves the right to make equipment changes and improvements, which may not be reflected in this manual.

WARNING

- Failure to properly monitor patient may result in **serious injury or death.**
- A physician's order is required for setting blanket temperature and use of equipment. At least every 20 minutes, or as directed by physician, check patient's temperature and skin integrity of areas in contact with blanket; also, check the Micro-Temp® LT's water temperature. Pediatric patients, temperature-sensitive patients with vascular disease, surgical patients, diabetics and patients with Raynaud's Disease are at greater risk for developing tissue injuries, and this should be considered when selecting the temperature, duration of therapy and frequency of skin checks. **Notify the physician promptly of any change in patient status in order to avoid serious injury or death.**
- If device is used at home, patient must follow directions prescribed by their physician and be aware of all warnings and cautions mentioned throughout the manual. **Failure to do so may result in patient injury.**
- **Thermal injury may occur** if heating/cooling blankets are used with a patient with an ischemic limb.
- Observe patient's skin condition frequently due to individual differences in sensitivity and susceptibility to injury from heat and/or externally applied chemicals or pressure. Patients at greatest risk are those unconscious, on prolonged therapy, diabetics, children, and persons incapacitated, with sensitive skin areas, or poor circulation. **Failure to do so may result in patient injury.**
- **Do not use for ECMO (Extracorporeal Membrane Oxygenation) therapy as patient injury may occur.**
- The method of temperature control provided by all localized heat therapy units presents the danger of heating body tissues, particularly the skin, to a point where they are injured, i.e., burns. The clinician is responsible for determining the appropriateness of the temperature limits in dependency to time. Exceeding 40°C water temperature for extended periods can cause tissue damage and burns. Clinical judgment should be used to determine the safe maximum contact periods based on patient age, clinical condition, and current medications. **Depending on the extent and severity of a burn, very serious complications may arise.**
- Prevent excessive and/or prolonged tissue pressure and shearing forces, especially over bony prominences. **Failure to do so may result in tissue injury.**
- Do not wrap pad so tightly as to constrict blood flow. **Patient injury may result.**
- Do not use pins to secure pad or hoses. Do not allow pad or hoses to come in contact with any sharp object. **Water leak may occur, and water leaks could lead to electric shock and/or infection.**
- Do not place additional heat sources between the patient and pad. **Skin damage may result.**
- **Improper repair and inadequate maintenance can result in damage to the MICRO-TEMP® LT system and patient injury.**
- Any time water is found leaking into or around the unit, connecting hose, and/or pad, turn the unit off, disconnect the power cord from its power source, and correct the problem before proceeding. Proper maintenance procedures should be followed including, but not limited to, the preventative maintenance described in this manual. Leaky blankets or hoses should never be used. **Water leaks could lead to electric shock.**
- Leaky pads or hoses, as well as unapproved pads should never be used. **Water leaks present a risk of infection and should be handled accordingly.**

WARNING

- Do not use the MICRO-TEMP® LT system in the presence of flammable anesthetics. **Risk of explosion can result.**
- For continued protection against risk of fire, replace only with same type and rating of fuse. **Electrical hazards may result.**
- This device is still energized when the inlet switch is in the off position. To completely disconnect the device from the power source, remove the appliance plug from the back of the unit. **Electrical hazards may result.**
- Always unplug the unit before accessing internal components during service. **Failure to unplug the unit could result in electric shock.**
- Do not by-pass ground on power cord plug. **Electrical Hazards may result.**
- Working with electronic boards, plugs, and cables requires delicate handling. **Proper Electrostatic Discharge (ESD) procedure should be followed during replacement of any electronic board.**
- **Use only GENTHERM provided hospital grade power cord assembly and used in conjunction with a properly grounded receptacle or electric shock may result.**
- Do not position unit near any objects that can generate a strong electrical/magnetic field. If interference is observed, re-locate the unit away from such devices. **Potential electromagnetic interference may result.**
- Keep air vents free of debris and obstruction. Keep unit, specifically the air vents, away from curtains or other obstructions. **Blockage of vents could result in the unit overheating which could render the unit unable to provide adequate therapy and excessive surface temperatures could cause injury of patient or operator.**
- Remove the MICRO-TEMP® LT from service if the outer casing or membrane control panel is cracked or internal components are exposed. **Contact with internal components could result in electric shock or thermal injury to the patient or operator and exposure to sharp edges.**
- Before returning the MICRO-TEMP® LT to patient use after repairs, the MAINTENANCE CHECKLIST in Section 4 must always be performed. **Improper repair and inadequate maintenance can result in system damage and patient injury.**
- The repair, calibration, and servicing of the MICRO-TEMP® LT should be performed by qualified Medical Equipment Service Technicians, Certified Biomedical Electronics Technicians, or Certified Clinical Engineers familiar with good repair practices for servicing medical devices, and in accordance with instructions contained in this manual. **Improper repair can result in system damage and patient injury.**
- ALL ground wires must be connected. **Improper grounding may result in electric shock.**
- The warming of transdermal medications (patches) can **increase drug delivery, resulting in possible injury to the patient.**
- **To avoid risk of electric shock**, this equipment must only be connected to a supply mains with protective earth.
- Do not use the Micro-Temp® LT system distal to arterial cross clamping. **Thermal injury may result.**
- Proper sanitation procedures must be practiced, and hygienic safety must be maintained, to prevent contamination. Contamination can affect patient's health, i.e. skin irritation/rash or sepsis and **infection may result.**
- Materials of good thermal conductivity, such as water, gel and similar substances on the blanket, with the MICRO-TEMP® LT not switched on **may decrease the temperature of the patient.**

WARNING

- Placing materials with high insulation properties (pillows, etc.) between the heated pad and the patient may **reduce therapy to the patient**.
- Complete folding of pad may restrict flow and **reduce therapy to patient**.

CAUTION

- Federal law restricts this device to sale by or on the order of a licensed healthcare professional. (US)
- Always drain the MICRO-TEMP® LT to a sanitary drain because bio-contaminants may be present in the unit's water supply.
- Do NOT fill the reservoir to the bottom of the strainer if there is water in the pad. This could cause an overflow when the unit is turned on.
- Do not operate pump without a pad connected or with pad clamps in the "CLOSED" position. Always check clamps to make sure they are fully open.
- The pad surface should be checked for freedom from mechanical damage prior to each application.
- Make sure hose and pads are free of kinks that might restrict flow.
- Check hose couplings to be certain they are properly locked together.
- Follow pad instructions and Hospital/Physician instructions for applying, storing, and disposal of product.
- **Do not** use alcohol. Alcohol may cause pad and unit deterioration.
- Use Sterile water or water that has been passed through a filter less than or equal to 0.22 microns only. Do Not Use De-Ionized water, Distilled water, or tap water. Failure to use sterile water or water that has been passed through a filter less than or equal to 0.22 microns may result in poor performance and damage to the MICRO-TEMP® LT.
- For safe handling and use of chemicals, follow manufacturer guidelines. Users should not use cleaning or decontamination methods different from those recommended by GENTHERM without first checking with GENTHERM that the proposed methods will not damage the equipment.
- The display may blank momentarily during an electrostatic discharge (ESD) event, but the essential performance of the unit is not affected, and no harm will occur to the patient. If an electrostatic discharge (ESD) event occurs, check to see if unit is operating properly. If unit does not return to previous operation, turn unit off then back on and reset temperature settings as prescribed.
- If a means is needed in retaining a patient either on or under a GENTHERM Hyper-Hypothermia Blanket or the Connecting Hose, the means should not block the fluid pathways of the MICRO-TEMP® LT unit.
- No modification of this equipment is allowed without prior, written authorization from GENTHERM.

Table of Contents

TABLE OF CONTENTS	7
BEFORE YOU CALL FOR SERVICE	10
IN-WARRANTY REPAIR AND PARTS	10
RECEIVING INSPECTION	10
IMPORTANT SAFETY INFORMATION	10
1-0. GENERAL SAFETY PRECAUTIONS	11
1-1. GENERAL DESCRIPTION OF THIS MANUAL	11
1-2. GENERAL DESCRIPTION OF THE MICRO-TEMP® LT SYSTEM	12
1-3. PHYSICAL DESCRIPTION OF THE MICRO-TEMP® LT UNIT	12
1-3.1. EXTERNAL FEATURES - FRONT VIEW	12
1-3.2. EXTERNAL FEATURES - REAR VIEW	14
1-3.3. EXTERNAL FEATURES – MEMBRANE CONTROL PANEL	16
1-4. REQUIRED ACCESSORIES	18
1-5. FUNCTIONAL DESCRIPTION OF THE MICRO-TEMP® LT SYSTEM	18
1-5.1. THEORY OF OPERATION	18
1-5.2. HEATING SYSTEM	18
1-5.3. CIRCULATING SYSTEM	18
1-5.4. TEMPERATURE SAFETY CONTROL SYSTEM	19
SECTION 2. GENERAL PREPARATION OF THE MICRO-TEMP® LT SYSTEM	20
2-1. INTRODUCTION	20
2-2. UNPACKING THE SHIPMENT	20
2-3. FIRST TIME SET-UP/SYSTEM TEST ROUTINE	20
2-3.1. INSPECTING AND ARRANGING THE EQUIPMENT	20
2-3.2. COMPLETING A SYSTEM TEST ROUTINE	21
2-4. UNIT AND PATIENT RELATED PRECAUTIONS	23
2-5. PATIENT PREPARATION AND BEDSIDE CARE	24
SECTION 3. OPERATING THE MICRO-TEMP® LT UNIT	25
3-1. INTRODUCTION	25
3-2. ARRANGING THE SYSTEM COMPONENTS	25
3-3. OPERATING THE MICRO-TEMP® LT SYSTEM	27
3-4. CONCLUDING LOCALIZED HEAT THERAPY TREATMENT	28
3-5. STATUS DISPLAY AND INDICATOR MESSAGES	29
SECTION 4. GENERAL MAINTENANCE OF THE MICRO-TEMP® LT SYSTEM	31
4-1. INTRODUCTION	31
4-1.1. TEST EQUIPMENT REQUIRED	32
4-2. MAINTENANCE OF THE WATER RESERVOIR	34
4-2.1. DRAINING THE RESERVOIR	34
4-2.2. REPLENISHING THE RESERVOIR	34
4-2.3. DISINFECTION/DRY STORAGE PROCEDURE FOR CIRCULATING WATER UNITS	35
4-3. MAINTENANCE OF THE MICRO-TEMP® LT UNIT EXTERIOR – CLEANING INSTRUCTIONS	37
4-4. DISPOSAL OF THE LOCALIZED HEAT THERAPY PADS	37
4-5. CURRENT LEAKAGE TEST	37
4.6 GROUND CONTINUITY TEST	38
4.7 FLOW RATE TEST	38
4.8 >1°C (2°F) OVER SET POINT CHECK	39
4.9 TEMPERATURE ACCURACY CHECK	39
4.10 HIGH LIMIT SAFETY CHECK	40
4.11 LOW WATER INDICATOR CHECK	40
4.12 POWER FAILURE INDICATOR CHECK	41

4.13	TILT SWITCH INDICATOR CHECK	42
SECTION 5.	FIELD REPAIR/SERVICE OF THE MICRO-TEMP® LT UNIT	43
5-1.	INTRODUCTION	43
5-2.	ACCESS TO THE INTERIOR OF THE MICRO-TEMP® LT UNIT	45
5-2.1.	SEPARATING THE FRONT AND REAR ENCLOSURES	45
5-2.2.	RECONNECTING THE FRONT AND REAR ENCLOSURES	45
5-2.3.	DISCONNECTING THE CABLES FROM THE CONTROL BOARD	46
5-2.4.	DISCONNECTING THE CABLES FROM THE DISPLAY BOARD	46
5-3.	REPLACEMENT OF THE HEATER	47
5-4.	REPLACEMENT OF THE PUMP	48
5-5.	REPLACEMENT OF THE RESERVOIR	50
5-6.	REPLACEMENT OF THE TWIN BLACK TUBING	51
5-7.	REPLACEMENT OF THE WATER TEMPERATURE SENSOR (THERMISTOR)	51
5-8.	REPLACEMENT OF THE I/O POWER SWITCH	52
5-9.	REPLACEMENT OF FUSES IN THE I/O POWER SWITCH	54
5-10.	REPLACEMENT OF THE WATER LEVEL SENSOR ASSEMBLY	54
5-11.	REPLACEMENT OF THE CONTROL BOARD AND/OR DISPLAY BOARD AND/OR THE MEMBRANE CONTROL PANEL	55
5-12.	TROUBLESHOOTING GUIDE	58
SECTION 6.	PARTS INFORMATION	62
6-1.	INTRODUCTION	62
6-2.	ORDERING INFORMATION FOR REPLACEMENT PARTS	62
6-3.	RECOMMENDED REPLACEMENT PARTS INVENTORY	62
6-4.	RETURNING PARTS UNDER WARRANTY	63
6-5.	SHIPPING PARTS	63
SECTION 7.	SPECIFICATIONS AND CERTIFICATIONS OF THE MICRO-TEMP® LT	70
	WORLDWIDE ORDER PLACEMENT	74

Table Of Figures

Figure 1-1 Micro-Temp® LT – Front View	13
Figure 1-2 Micro-Temp® LT – Rear View.....	15
Figure 1-3 Micro-Temp® LT – Membrane Control Panel (100V/115V Only)	17
Figure 1-4 Micro-Temp® LT – Membrane Control Panel (230V/240V Only)	17
Figure 5-1 Micro-Temp® LT –Exposed Rear View	44
Figure 6-1 Micro-Temp® LT Internal Exploded - Front View	64
Figure 6-2 Micro-Temp® LT - Parts List A.....	64
Figure 6-3 Micro-Temp® LT – Internal Exploded – Rear View	65
Figure 6-4 Micro-Temp® LT - Parts List B	65
Figure 6-5 Micro-Temp® LT Reservoir – Side View	66
Figure 6-6 Micro-Temp® LT - Parts List C	66
Figure 6-7.A Micro-Temp® LT Electrical Wiring Diagram – 100V/115V	67
Figure 6-7.B Micro-Temp® LT Electrical Wiring Diagram – 230V/240V	68
Figure 6-8 Micro-Temp® LT Accessories	69
Table 1 Guidance and Manufacturer’s Declaration – Electromagnetic Emissions.....	72
Table 2 Guidance and Manufacturer’s Declaration – Electromagnetic Immunity	72
Table 3 Guidance and Manufacturer’s Declaration– Electromagnetic Immunity that is not used for Life Support ..	73
Table 4 – Recommended Separation Distances Between Portable and Mobile RF Communications Equipment and the Micro-Temp® LT, Model 749	74

TECHNICAL HELP

United States and Canada
Gentherm Medical, LLC.
12011 Mosteller Road
Cincinnati, OH 45241
www.gentherm.com

Toll Free	1-800-989-7373
(U.S.) 24hr Clinical Support	1-513-460-2038
Fax	1-513-772-9119

BEFORE YOU CALL FOR SERVICE

To help us better serve you, please have the serial number of your MICRO-TEMP® LT unit ready when you call for parts or service. The serial number is located on the specification label attached to the unit's rear panel.

How to read serial numbers:

Example: 121-LT-60000

- 12 indicates a manufacturing date of the year 2012
- 1 indicates the quarter (first)
- -LT- means MICRO-TEMP® LT, Model 749
- 60000 indicates that this is the 60,000th unit of a certain model

IN-WARRANTY REPAIR AND PARTS

All parts on your MICRO-TEMP® LT unit are covered by a one year warranty (parts and labor if returned to GENTHERM). To return defective parts or units, first obtain a Returned Materials Authorization (RMA) number from our Medical Technical Service department.

RECEIVING INSPECTION

After unpacking the MICRO-TEMP® LT System, be sure to inspect the system for concealed damage. Retain all packing material and carefully describe or photograph any damage. Notify the carrier at once and ask for an inspection (in writing). Failure to do this within 15 days may result in loss of claim. Do not return the equipment to Gentherm. Call our Medical Technical Service department for further instructions.

IMPORTANT SAFETY INFORMATION

Refer to this manual for instructions and caregiver information. Read and understand all precautionary information before using, prescribing, or servicing the MICRO-TEMP® LT unit.

SECTION 1. INTRODUCTION

1-0. GENERAL SAFETY PRECAUTIONS

To provide the patient maximum safety during the use of the MICRO-TEMP® LT localized heat therapy system, a thorough knowledge and understanding of the system and its correct application and operating use are required. Each person who is responsible for use or direction of use of the system, such as physicians, nurses, technicians and operators must read and understand this operating manual and all precautions and warnings prior to use. It is recommended this manual be reviewed at least semi-annually as a refresher to ensure safe operation and application. For proper knowledge and understanding, health care facility in-service is available upon request.

1-1. GENERAL DESCRIPTION OF THIS MANUAL

This manual describes the operation, maintenance, and service of the MICRO-TEMP® LT localized heat therapy system. Section One describes the physical and functional characteristics of the MICRO-TEMP® LT System. Section Two explains how to prepare the MICRO-TEMP® LT unit for general use. Section Three expresses how to operate the unit. Section Four describes the regular maintenance of the MICRO-TEMP® LT unit. Section Five explains Field Repair and Service of the MICRO-TEMP® LT unit and contains a troubleshooting guide. Section Six outlines parts information, and Section Seven lists the specifications of the MICRO-TEMP® LT unit.

Maintenance and service activities will sometimes overlap. In general, maintenance refers to any activity that does not require a certified technician. Maintenance may be performed by healthcare personnel or by other trained persons. The following actions are considered maintenance:

1. Inspecting, cleaning, and disinfecting the exterior
2. Adding or replacing water
3. Replacing hoses
4. Cleaning hoses, blankets
5. Draining reservoirs

Service refers to any activity that requires a Medical Equipment Service Technician, Certified Biomedical Electronics Technician, or a Certified Clinical Engineer. The following actions are considered service:

1. Equipment or parts replacement
2. Repairs
3. System testing
4. Cleaning & disinfecting water reservoirs
5. Replacing hoses (air, water), cords, and other accessories

All individuals who use, operate, or service the unit should be familiar with all parts of this manual. However, Sections One and Two are primarily intended for personnel who unpack and setup the unit. Section three is primarily intended for personnel who operate the unit, and Sections Four through Six are primarily intended for personnel who service and repair the unit. Section (1-4) describes the external features of the MICRO-TEMP® LT unit and Section (3-5) describes the indicator messages.

1-2. GENERAL DESCRIPTION OF THE MICRO-TEMP® LT SYSTEM

Intended Use

The GENTHERM MICRO-TEMP® LT Model 749 Localized Heat Therapy System is intended to warm a patient's body part through conductive heat transfer. The conductive heat therapy is provided by circulating warm water through localized temperature therapy pads. The GENTHERM MICRO-TEMP® LT unit is composed of a heater, a circulating pump, and a microprocessor. The MICRO-TEMP® LT is intended for use by appropriately trained healthcare professionals in healthcare facilities and in home care environments.

1-3. PHYSICAL DESCRIPTION OF THE MICRO-TEMP® LT UNIT

See Section 7 for specifications and certifications of the MICRO-TEMP® LT.

1-3.1. EXTERNAL FEATURES - FRONT VIEW

The external features in Figure 1-1 of the MICRO-TEMP® LT unit are described as follows:

- A. The membrane on the front of the unit allows the user to change the temperature of the water flowing through the thermal pad. It displays error messages and sounds an audible indicator if there is a problem with the device. Refer to Section 1-3.3 for descriptions of controls on the membrane. Refer to Section 3-5 for the list of status displays and indicator messages.
- B. The air vents, on both the top and bottom of the unit, provide air circulation for the control board.
- C. The built in handle permits the operator to grip and pick up the unit when moving it.
- D. The sight window allows the operator to visually see how much water is in the reservoir.
- E. The permanently attached hose connects the unit and the thermal pad.
- F. The four rubber suction cups on the bottom of the unit help to prevent the unit from tipping.
- G. The coupling attached to the end of the twin black tubing allows a quick disconnect for the heat therapy pad.
- H. The skirt is used to help prevent leaks from the reservoir.

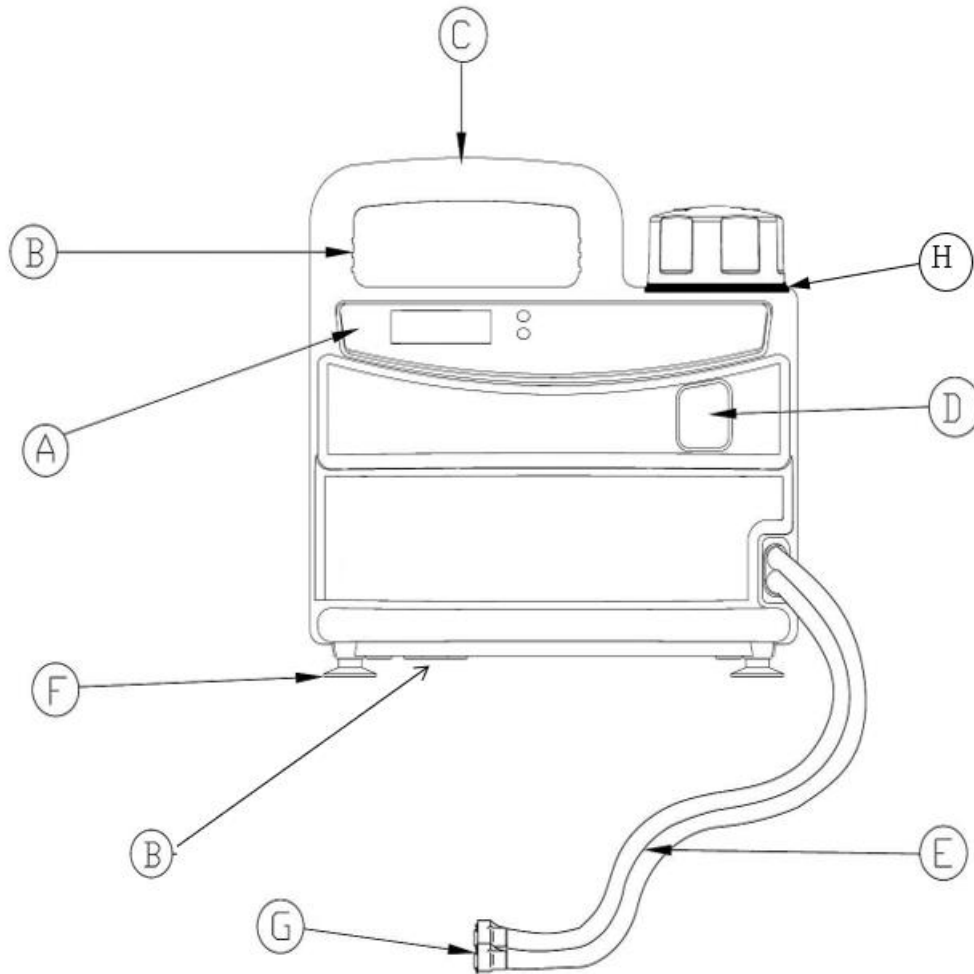


Figure 1-1 Micro-Temp® LT Unit – Front View

1-3.2. EXTERNAL FEATURES - REAR VIEW

The external features in Figure (1-2) of the MICRO-TEMP® LT unit are described as follows:

- A. The power switch is a beveled rocker switch labeled “I” for ON and “O” for OFF.
- B. The fuse housing holds replaceable fuses that are integrated in the switch assembly to protect against overload conditions.
- C. The main power connection is where the detachable power cord connects.
- D. The detachable power cord with a hospital grade plug should only be inserted into a properly grounded receptacle. Electrical specifications are described in Section (7).
- E. The water fill opening, secured with a reservoir cap, is where the operator pours sterile water or water that has been passed through a filter less than or equal to 0.22 microns into the unit to fill the reservoir.
- F. The specification label outlines the MICRO-TEMP® LT unit's electrical requirements. The condensed operating instructions found on the 115V allow the operator to see the instructions and appropriately use the unit. The 230V contains symbols to describe how to appropriately use the unit. The specification label also includes the unit serial number and model number.
- G. The recessed bottom is used to secure and store the permanently attached hose and/or the power cord by wrapping the hose and/or cord around the unit when it is not in use.
- H. The equipment grounding terminal is used to perform the ground continuity test.
- I. The skirt used for preventing leaks from the reservoir.

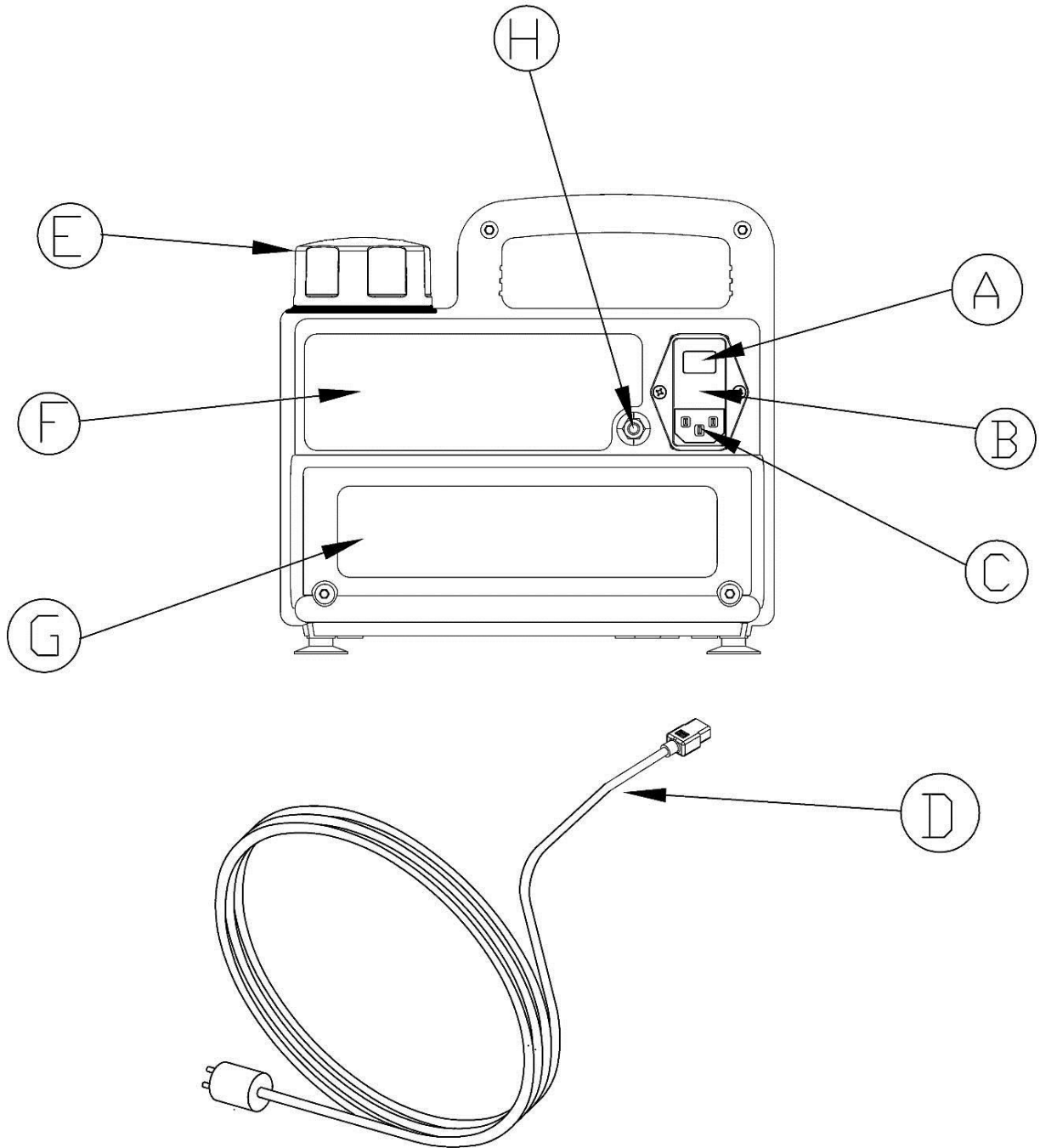


Figure 1-2 Micro-Temp® LT Unit – Rear View

1-3.3. EXTERNAL FEATURES – MEMBRANE CONTROL PANEL

The external features in Figure (1-3) and Figure (1-4) of the MICRO-TEMP® LT unit are described as follows:

- A. The digital temperature display shows the actual temperature of the circulating water and the set point temperature when the “SET” button is depressed. It also displays indicator messages when a problem occurs, alerting the operator to make a change. Refer to Section (3-5) for a list of possible display messages and indicators.
- B. The “Low Water” symbol indicates when the unit is low on water by illuminating the yellow LED to the left of the symbol. Refer to Section (3-5), Step (B) for Low Water indicator.
- C. The “Power Fail” symbol indicates when power has been interrupted by flashing the red LED to the left of the symbol and sounding an audible indicator. Refer to Section (3-5), Step (B) for Power Failure.
- D. The “Caution” symbol indicates when the water temperature is $>1^{\circ}\text{C}$ (2°F) over the set point temperature, the water has reached the high limit temperature of 44°C (111°F), the tilt of the unit is beyond approximately 20° in any direction, or when there is a fault within the unit by flashing/illuminating the red LED to the left of the symbol and sounding an audible indicator. Refer to Section (3-5), Step (B).
- E. The Increment button is used to increase the set point temperature when needed.
- F. The “SET” temperature button is used to position the set point temperature.
- G. The Decrement button is used to decrease the set point temperature when needed.
- H. The “°C” button allows the operator to select Celsius as the measurement scale by which the unit functions (100V and 115V only).
- I. The “°F” button allows the operator to select Fahrenheit as the measurement scale by which the unit functions (100V and 115V only).

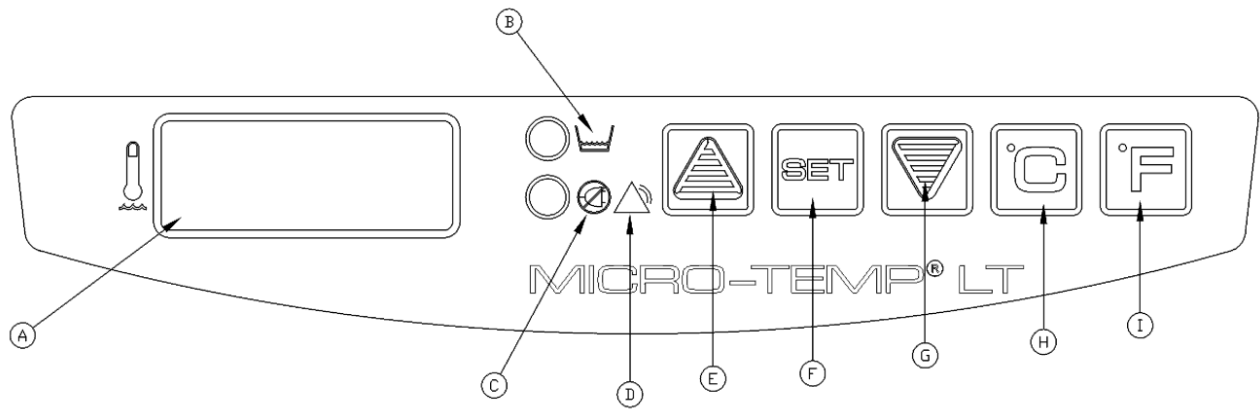


Figure 1-3 Micro-Temp® LT Unit – Membrane Control Panel (100V/115V Only)

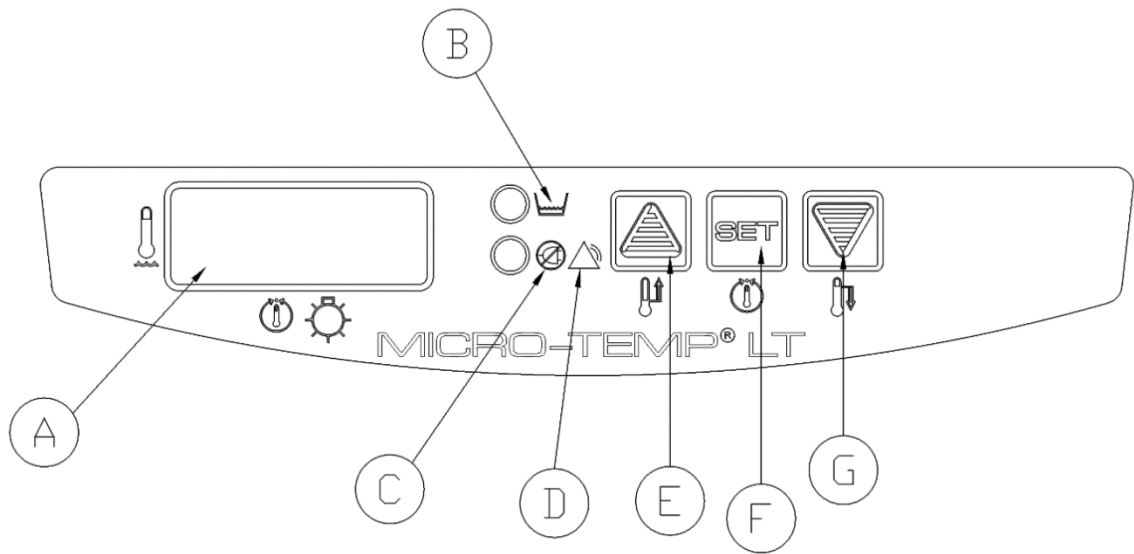


Figure 1-4 Micro-Temp® LT Unit – Membrane Control Panel (230V/240V Only)

1-4. REQUIRED ACCESSORIES

The only essential accessory for the MICRO-TEMP® LT unit is a thermal pad. They are available in a variety of sizes. The maximum thermal pad allowed for the MICRO-TEMP® LT is 25" x 19".

The thermal pad is connected to the unit via the permanently attached eight foot (2.4 meter) hose with "quick-connect" couplings, featuring automatic shut-offs on the end of each hose. The automatic shut off pertains to the hose only, and therefore the clamp for the blankets/pads must be shut to avoid water leakage.

A list of MICRO-TEMP® LT System Equipment and accessories are found in Figure (6-8).

1-5. FUNCTIONAL DESCRIPTION OF THE MICRO-TEMP® LT SYSTEM

1-5.1. THEORY OF OPERATION

The MICRO-TEMP® LT System utilizes a linear temperature controller featuring a digital read-out of water and set point temperature (selectable to indicate Celsius or Fahrenheit for 100V and 115V only) and operates between a temperature range of 20°C to 42°C (68°F to 107°F). In addition, this model includes audible indicators and visual indicators for power failure and warning indicators, along with a visual indicator for low water. Safety features include: linear control to ensure accuracy of temperature setting at all times by eliminating the need for calibration; digital display of actual water temperature as well as set point temperature; a low water cut-off switch which shuts off both the heater and circulating pump; an independent high limit sensor to guard against possible over-heating and subsequent patient injury; and a tilt switch indicator which sounds and shuts the unit off when tilted more than approximately 20° in any direction from the horizontal plane.

1-5.2. HEATING SYSTEM

The MICRO-TEMP® LT heating system consists of an immersion heater, a water temperature control, and two high temperature safety devices. Temperature ranges of the system are described in Section (1-6.4). The immersion heater is located in the reservoir. The water circulating in the reservoir flows around the immersion heater and is warmed by conductive heat transfer.

The heating system is operational whenever the control system calls for an increase in the temperature of the circulating water. It is important to note that the rate of change in the circulating water temperature is not directly proportional to the rate of change in the temperature of the patient.

1-5.3. CIRCULATING SYSTEM

The MICRO-TEMP® LT circulating water system is composed of a magnetically driven circulating pump, a single self-contained reservoir, a connecting hose, quick-disconnect fittings, and a localized heat therapy pad.

The 0.24-gallon (0.9 liters) capacity reservoir is composed of a single circulating unit.

The circulating water flows over and around the heating element and water temperature sensor located in the circulating reservoir. The heated water then flows out of the reservoir, to the circulating pump, through the pump housing and connecting hoses, and then to the localized heat therapy pad. The water circulates through the pad and returns to the unit to be reheated and recycled.

In addition, the reservoir contains a low water level sensor which shuts down the heater and pump and illuminates the Low Water LED if the water level drops below a preset amount. The unit becomes operational only after the water level is restored to normal.

1-5.4. TEMPERATURE SAFETY CONTROL SYSTEM

The MICRO-TEMP® LT unit is designed to carefully measure and control the temperature of the circulating water. It is engineered so that when the temperature of the circulating water reaches the desired set point, the heater cycles in order to maintain the set point temperature.

As a safety precaution, the MICRO-TEMP® LT unit has a $>1^{\circ}\text{C}$ (2°F) over set point indicator and a high temperature indicator.

Each safety device continuously monitors the temperature of the circulating water. As an additional precaution, if the water temperature sensor itself should fail, the unit shuts down and the display indicates EE05. With this safety design, both the patient and the unit are protected from injury or damage caused by extreme temperatures.

NOTE: *The operator must regularly monitor the patient whenever localized heat therapy is used.*

SAFETY CONTROLS FOR PROTECTION FROM HIGH TEMPERATURE

The circulating water reaches $42.0^{\circ}\text{C} \pm 0.5^{\circ}\text{C}$ ($107^{\circ}\text{C} \pm 1^{\circ}\text{F}$), and a microprocessor controls the set point.

If the circulating water reaches $44^{\circ}\text{C} \pm 0.5^{\circ}\text{C}$ ($111^{\circ}\text{F} \pm 1^{\circ}\text{F}$), a safety device shuts off the heater and pump, the display alternates between flashing the actual water temperature and flashing "HL," an audible indicator continuously sounds, and the red "Power Failure/Caution" LED illuminates. This indicator condition cancels only after the unit is powered down.

If the circulating water reaches $>1^{\circ}\text{C}$ (2°F) over the set point, the display flashes the actual water temperature, and 2 beeps sound while the red "Power Failure/Caution" LED flashes. The safety device shuts off the heater. If the water temperature does not return to the set point temperature after 9 minutes, the device will again sound 2 beeps and the "Power Failure/Caution" LED will flash. The actual water temperature will continue to flash until the water temperature reaches the set point.

SECTION 2. GENERAL PREPARATION OF THE MICRO-TEMP® LT SYSTEM

2-1. INTRODUCTION

This section describes the procedures to prepare the MICRO-TEMP® LT unit for general use. This entails unpacking the shipment, arranging all the equipment for the first time, and completing a test routine. This section also outlines the bactericidal agent preparations, standard safety precautions, and patient preparation/bedside care when using the hyperthermia pad(s). Technical support is available upon request.

2-2. UNPACKING THE SHIPMENT

WARNING

- Remove the MICRO-TEMP® LT from service if the outer casing or membrane control panel is cracked or internal components are exposed. **Contact with internal components could result in electric shock or thermal injury to the patient or operator and exposure to sharp edges.**

During the unpacking process, look carefully for signs of shipping damage. If any unacceptable damage is found, notify the transportation company immediately and file a claim. The transportation company is responsible for the shipment after it leaves the factory. If problems other than shipping damage are found, notify your Gentherm representative or the Factory.

2-3. FIRST TIME SET-UP/SYSTEM TEST ROUTINE

This section describes the tasks necessary to inspect and arrange the equipment for the first time after unpacking and describes a System Test Routine to check the membrane control panel.

The System Test Routine can also be used to teach operators who are unfamiliar with the equipment how to use the unit.

2-3.1. INSPECTING AND ARRANGING THE EQUIPMENT

- A. Place the MICRO-TEMP® LT unit in an uncluttered work space that is accessible to the correct power source with an ambient temperature between 20°C – 35°C (68°F – 95°F) Position the unit so that the membrane control panel faces the operator. See Section (7) for electrical specifications.
- B. Visually inspect the MICRO-TEMP® LT unit to determine that there are no missing parts, unusual dents, or punctures.

- C. Examine the power cord for cuts or exposed wires and check the power cord for bent or missing prongs.
- D. Review Section 1-3.1, 1-3.2, and 1-3.3 to identify the features of the MICRO-TEMP® LT unit.
- E. Collect and arrange a localized heat therapy pad described in Section 1-4.

CAUTION

- **Use Sterile water or water that has been passed through a filter less than or equal to 0.22 microns only. Do Not Use De-Ionized water, Distilled water or Tap water.** Failure to use sterile water or water that has been passed through a filter less than or equal to 0.22 microns may result in poor performance and damage to the Micro-Temp® LT.
- **Do not** use alcohol. Alcohol may cause pad and unit deterioration.
- **Do NOT fill the reservoir to the bottom of the strainer if there is water in the pad.** This could cause an overflow when the unit is turned on.

- F. Twist off the cap on the water fill opening and gradually pour approximately 0.9 liters of sterile water or water that has been passed through a filter less than or equal to 0.22 microns into the reservoir. Stop pouring when the water reaches the strainer and is visible at the bottom of the water fill opening.
- G. Connect the pad to the MICRO-TEMP® LT unit by attaching the pad to the couplings at the end of the connecting hose. The pad must be connected to the outlet and the return.
- H. Check that the pad is lying flat and that the hose permanently attached to the unit is not twisted or pinched.
- I. Check that the power switch of the unit is OFF.
- J. Connect the detachable power cord to the unit.

NOTE: If pad is placed above unit, disconnect pad prior to turning off unit. This could cause backflow if pad is not disconnected.

WARNING

- Do not by-pass ground on power cord plug. **Electrical Hazards may result.**

- K. Insert the plug into a properly grounded receptacle.

2-3.2. COMPLETING A SYSTEM TEST ROUTINE

After arranging the equipment described in Section 2-3.1, complete the System Test Routine describing which switches to press and the changes to observe.

NOTE: If power is supplied to the unit and is removed without actuating the power switch (I/O switch) a power fail indicator is activated. To stop the indicator, restore power to the unit or turn the power switch to the "O" (OFF) position.

- A. Make sure that the power switch is in the "I" (ON) position.
 1. The digital temperature display indicates that the unit is on.
 - a. Upon initial power-up, the unit flashes the 42°C default set point four times, and then flashes the actual water temperature two times before constantly displaying the water temperature.
 2. The pump activates and begins circulating water.
- B. Press and hold the "SET" button.
 1. The display shows 42°C
- C. Release "SET" button.
 1. The display reverts back to displaying the actual water temperature.
- D. Press the "°F" button (100V and 115V only).
 1. The water temperature displayed changes from Celsius to Fahrenheit.
- E. Press the "°C" button (100V and 115V only)
 1. The water temperature displayed changes from Fahrenheit to Celsius.

NOTE: If at any time the water falls below a preset limit, the low water sensor is activated and the Low Water LED illuminates. The unit shuts down and the operator cannot proceed until this is corrected.

If any of the above are not observed, consult the Troubleshooting Guide in Section 5-12. If they are observed, continue with the test routine.

WARNING

- Leaky pads or hoses should never be used. **Water leaks present a risk of infection to the patient and should be handled accordingly**

- F. Check the pad for leaks. If a leak is found, the pad cannot be used. The disposal for reusable pads is described in Section (4-4).
- G. Check the couplings at the end of the hose and pad for positive connection.

NOTE: Set point may be displayed in Fahrenheit if the operator is in Fahrenheit mode (100V and 115V only). Otherwise the set point is displayed in Celsius.

- H. While depressing the “SET” button, press the Down arrow next to the “SET” button.
1. The set point display temperature changes and the numbers move down the scale. The longer the button is pressed the faster the digits change. When the button is released and repressed, the digits once again change slowly and then increase in speed. The lowest setting is 20°C (68°F).
- I. While depressing the “SET” button, press the Up arrow next to the “SET” button.
1. The set point display changes and the numbers move up the scale. The longer the button is pressed the faster the digits change. When the button is released and repressed, the digits once again change slowly and then increase in speed. The highest setting is 42°C or 107°F.
- NOTE:** *If water temperature is >1°C (2°F) over the set point temperature, the display will flash, and an audible indicator will activate.*
- J. To complete this test routine, turn the power switch to the “O” (OFF) position.
1. The display goes blank.
- K. Disconnect the power cord from the power source and loosely coil it up, securing it with the attached velcro tie.
- L. For single-use pads, i.e. TEMP-PAD[®], MAXI-THERM[®], and MAXI-THERM[®] LITE pads, follow the instructions packaged with the pad.

The MICRO-TEMP[®] LT unit is now ready for patient use.

2-4. UNIT AND PATIENT RELATED PRECAUTIONS

This unit requires both water and electricity to operate.

Please consult page 2, 3, and 4 at the beginning of the manual for a complete list of warnings and cautions related to the MICRO-TEMP[®] LT.

- A. Anytime the unit sounds an audible indicator, the operator should immediately check the status display and act accordingly (e.g., add water, remove from service, etc.). See Section (3-5) for status display and indicator messages.
- B. The MICRO-TEMP[®] LT unit is equipped with fuses in the I/O power switch to protect against current overload.
-

2-5. PATIENT PREPARATION AND BEDSIDE CARE

Effective use of the MICRO-TEMP® LT system must include proper patient care prior to and while using the hyperthermia pad(s).

Standard procedures while using a localized heat therapy pad include the following tasks:

- A. If used at home, patient **must** follow directions prescribed by their physician and be aware of all warnings and cautions mentioned throughout the manual.
- B. Observe skin condition frequently due to individual differences in sensitivity and susceptibility to injury from cold or heat and/or externally applied chemicals or pressure. Patients at greatest risk are those unconscious, on prolonged therapy, diabetics, children, and persons incapacitated, with sensitive skin, or poor circulation.
- C. Changes in skin color, edema, inflammation, or indications of pressure, especially over bony prominences, should be noted and treated as ordered. Avoid prolonged tissue pressure and shearing forces over bony prominences.
- D. Avoid placing additional heating sources between the patient and the pad.
- E. Check pad water temperature frequently to make sure the unit is providing the appropriate therapy.

SECTION 3. OPERATING THE MICRO-TEMP® LT UNIT

3-1. INTRODUCTION

This section describes how to operate the MICRO-TEMP® LT unit in order to provide maximum therapy to a patient. First, collect the equipment and prepare the patient. Second, set the appropriate controls. For proper knowledge and understanding of the unit, health care facility in-service is available upon request.

3-2. ARRANGING THE SYSTEM COMPONENTS

- A. Collect all supplies and equipment
1. MICRO-TEMP® LT unit
 2. Localized heat therapy pad
 3. Sterile water or water that has been passed through a filter less than or equal to 0.22 microns
- B. Place the MICRO-TEMP® LT unit on a secure, flat surface or on a mounting stand within proximity of the patient such that the attached hose will reach the desired therapy site and the unit will still remain accessible to the correct power source. Ambient environment should be between 20°C – 35°C (68°F – 95°F). See Section (7) for electrical specifications.
- NOTE:** For optimum use, the unit and the pad should be positioned at the same level.*
- C. Review Section 1-3.1, 1-3.2, and 1-3.3, which outlines the features of the unit and membrane control panel.

CAUTION

- **Use Sterile water or water that has been passed through a filter less than or equal to 0.22 microns only. Do Not Use De-ionized water, Distilled water or Tap water.** Failure to use sterile water or water that has been passed through a filter less than or equal to 0.22 microns may result in poor performance and damage to the Micro-Temp® LT.
- **Do not** use alcohol. Alcohol may cause pad and unit deterioration.
- **Do NOT fill the reservoir to the bottom of the strainer if there is water in the pad.** This could cause an overflow when the unit is turned on.

- D. Check the level of sterile water or water that has been passed through a filter less than or equal to 0.22 microns in the reservoir. To do so, twist off the cap on the water fill opening and check if the water is visibly touching the strainer. If needed, carefully add sterile water or water that has been passed through a filter less than or equal to 0.22 microns. In addition, if the water falls below a preset level, the Low Water LED

illuminates and the unit does not operate. The operator cannot proceed until this is corrected as described in Section 4-2.2.

- E. Check that the power switch is in the “O” (OFF) position.
- F. Inspect the power plug for bent or missing prongs.
- G. Connect the detachable power cord to the unit.

WARNING

- Do not by-pass ground on power cord plug. **Electrical Hazards may result.**

- H. Insert the plug into a properly grounded receptacle.
- I. Lay the localized heat therapy pad flat towards the unit.
- J. If the pad is already filled, check that there are no leaks.

WARNING

- Leaky pads or hoses should never be used. **Water leaks present a risk of infection and should be handled accordingly.**

- K. Connect the pad to the MICRO-TEMP® LT unit as described in Section (2-3.1), Step (G).
- L. Check that the pad is flat, and the connecting hose is not twisted or pinched.
- M. Place the pad on the patient’s body part.

NOTE: The maximum contact surface temperature is 41°C.

NOTE: *If at any time, power is removed from the unit without actuating the power switch (ON/OFF switch) a power fail indicator will activate. To stop the indicator, restore power or turn the power switch to the “O” (OFF) position.*

NOTE: *In the case that power is lost and then restored to the unit, the unit will resume the previous operation mode.*

NOTE: *If pad is placed above unit, disconnect pad prior to turning off unit. This could cause backflow if pad is not disconnected.*

3-3. OPERATING THE MICRO-TEMP[®] LT SYSTEM**WARNING**

- A physician's order is required for setting blanket temperature and use of equipment. At least every 20 minutes, or as directed by physician, check patient's temperature and skin integrity of areas in contact with blanket; also, check the Micro-Temp[®] LT's water temperature. Pediatric patients, temperature-sensitive patients with vascular disease, surgical patients, diabetics and patients with Raynaud's Disease are at greater risk for developing tissue injuries, and this should be considered when selecting the temperature, duration of therapy and frequency of skin checks. **Notify the physician promptly of any change in patient status in order to avoid serious injury or death.**

The MICRO-TEMP[®] LT unit can be set so that it delivers the maximum heating therapy in order to bring the patient's body part temperature to a set point determined by the operator. To do so, set the desired water temperature (in Celsius or Fahrenheit for 100V and 115V only). The MICRO-TEMP[®] LT unit activates to heat and circulate the water. The operator must then regularly monitor the patient wherever localized heat therapy is used.

After arranging the equipment as described in Section 3-2, proceed as follows:

- A. Press the power switch to the "I" (ON) position.
 1. The digital temperature display indicates that the unit is turned on.
 - a. Upon initial power-up, unit flashes the 42°C default set point four times, and then flashes the actual water temperature two times before constantly displaying the water temperature.
 2. The pump activates and begins circulating water.
 3. The water moves from the unit to the pad and returns to the unit.
- B. Consult the physician's orders to determine the desired patient temperature. The "SET" temperature can only be set between 20°C to 42°C (68°F to 107°F).
- C. Use the "°C" or "°F" button (100V and 115V only) to choose the desired temperature scale.
- D. Press and hold the "SET" button.
 1. The display shows 42°C
- E. Release "SET" button.
 1. The display reverts back to displaying the actual water temperature.
- F. While still depressing the "SET" button, press either the Up arrow or Down arrow to change the SET temperature display to the desired patient temperature. The display can only be set between 20°C - 42°C (68°F - 107°F).

1. The set temperature on the status display changes.
 - G. When the desired set temperature is displayed, release the Up or Down arrow and the “SET” button.

NOTE: *If water temperature is >1°C (2°F) over the set point temperature, the display will flash, and the unit will sound an audible indicator*
 - H. Check that the water is circulating.
 - I. Touch the localized heat therapy pad to confirm that the pad is heating.
 - J. Allow fifteen to twenty minutes for the water to reach selected temperature.
 - K. To check the set point temperature, press the “SET” button.
 - L. To make any changes in the control settings, press and hold the “SET” button and begin pressing either the “Up” or “Down” arrow to change the set point temperature.

The MICRO-TEMP® LT unit is now operating. Continue to monitor the unit and the patient.

If at any time the display shows a message other than the water or set point temperature, consult the list of display and indicator messages in Section (3-5). If at any time the unit sounds an audible indicator, make the changes indicated and/or consult the list of indicator messages in Section (3-5).

To turn off the unit or discontinue localized heat therapy treatment, proceed as described in Section (3-4).

3-4. CONCLUDING LOCALIZED HEAT THERAPY TREATMENT

To stop the unit, the operator must turn the power switch to the “O” (OFF) position.

When the localized therapy is concluded, and the unit is turned OFF:

- A. Disconnect the power cord from the power source and loosely coil it together, securing with the attached velcro strap.
- B. Remove the pad.
- C. For Single-Patient Use TEMP-PAD®, MAXI-THERM® and MAXI-THERM® LITE pads follow the instructions packaged with the pad.
- D. Wrap hose around the bottom recessed area of unit.

3-5. STATUS DISPLAY AND INDICATOR MESSAGES

The status display reports the water temperature and set point temperature of the unit or indicates changes the operator must make. The status display can show different messages to guide the operator. The following list defines each message and describes the changes, if any, that the operator must make.

A. During normal operation, the status display shows the following message:

Status Display Message	Function
Water Temperature	<p>The water temperature value is displayed when the Micro-Temp® LT system is operating. If the “SET” button is being depressed, the set point temperature is being displayed. In any other case, the actual water temperature inside the reservoir is being displayed.</p> <p>Note: <i>If the display temperature is flashing, the water temperature is >1°C (2°F) from the set point temperature.</i></p>

B. The following are indication messages and/or indicators:

Indication Message or Indicator	Function
EE05	<p>This message flashes when the water temperature sensor is open or defective. While this message displays, an audible indicator sounds continuously, the red “Power Failure/Caution” LED illuminates, and the pump and heater shut off. The indicator stops and the unit resets when the unit has been powered down. The unit should not be used again until it is serviced.</p>
EE07	<p>This message flashes when a membrane keypad fault occurs (i.e. the “Set” button is closed at power up). While this message displays, an audible indicator sounds continuously, the red “Power Failure/Caution” LED illuminates, and the pump and heater shut off. The indicator stops and the unit resets when the unit has been powered down. The unit should not be used again until it is serviced.</p>
EE08	<p>This message flashes when a failure within the microprocessor occurs. While this message displays, an audible indicator sounds continuously, the red “Power Failure/Caution” LED illuminates, and the pump and heater shut off. The indicator stops and the unit resets when the unit has been powered down. The unit should not be used again until it is serviced.</p>
HL (High Limit Indicator)	<p>This indicator condition occurs when the circulating water temperature has reached the high temperature limit of 44°C ± 0.5°C (111°F ± 1°F). When this occurs, the red “Power Failure/Caution” LED illuminates, an audible indicator sounds continuously, and the pump and heater shut off. This indicator condition cancels only after the unit has been powered down and the water temperature has cooled below 42°C. The unit should not be used again until it is serviced.</p>

Power Failure	This indicator condition occurs when a power failure is detected. When this occurs, the red "Power Failure/Caution" LED flashes and an audible indicator sounds. This continues until power is restored to the unit, or until the power switch is turned to the "O" (OFF) position. If power is restored to the unit, the unit will resume previous operation.
>1°C (2°F) Indicator	This indicator condition occurs when the actual water temperature is 1°C (2°F) greater than the set point temperature. When this occurs, the display flashes the actual water temperature, an audible indicator sounds 2 beeps while flashing the red "Power Failure/Caution" LED, and the heater shuts off. If the water temperature does not return to set point after 9 minutes, the 2 beep audible indicator will again sound and the red "Power Failure/Caution" LED will again flash. The actual water temperature will continue to flash until the water temperature returns to the set point. Note: Check pad connections if this indicator occurs.
Low Water Indicator	This indicator condition occurs when the unit is low on water. When this occurs, the yellow "Low Water" LED illuminates and the pump and heater shut off. Once sufficient water level is obtained the unit returns to previous operation.
Tilt Switch indicator	This indicator condition occurs when the unit has tilted beyond approximately 20° in any direction. When this occurs, an audible indicator sounds, the red "Power Failure/Caution" LED flashes, and the heater and pump shut down. Once the unit returns to an acceptable operating angle, the unit returns to previous operation.

SECTION 4. GENERAL MAINTENANCE OF THE MICRO-TEMP® LT SYSTEM

4-1. INTRODUCTION

Maintenance and service activities will sometimes overlap. In general, maintenance refers to any activity that does not require a certified technician. Maintenance may be performed by healthcare personnel or by other trained persons. The following actions are considered maintenance:

1. Inspecting, cleaning, and disinfecting the exterior
2. Adding or replacing water
3. Replacing hoses
4. Cleaning hoses, blankets
5. Draining reservoirs

Service refers to any activity that requires a Medical Equipment Service Technician, Certified Biomedical Electronics Technician, or a Certified Clinical Engineer. The following actions are considered service:

1. Equipment or parts replacement
2. Repairs
3. System testing
4. Cleaning & disinfecting water reservoirs
5. Replacing hoses (air, water), cords, and other accessories

This section describes the general requirements maintenance personnel should complete on a regular basis so that the MICRO-TEMP® LT System continues to operate within the manufacturer's allowable tolerances.

These requirements include changing and replenishing the water in the reservoir, cleaning the exterior of the unit and the localized heat therapy pads, and testing indicator conditions. Figure 4-1 provides a convenient checklist to record the maintenance history of the unit.

The description of each requirement includes the tools, the procedures, and the precautions necessary to complete the requirements. Maintenance, repair and/or service of MICRO-TEMP® LT by qualified maintenance/technical personnel **will not** void the warranty of the unit.

<h2>WARNING</h2>
<ul style="list-style-type: none">• Improper repair and inadequate maintenance can result in damage to the MICRO-TEMP® LT system and patient injury.

The following procedures should be performed quarterly.

- Draining/Replenishing the Reservoir
- Maintenance Checklist
- Exterior Physical Inspection
- Check flow rate
- Check temperature accuracy

- Test Low Water Indicator
- Check Leakage Current
- Test Ground Continuity
- Test high temperature protection
- Test >1°C (2°F) Indicator
- Test Power Fail Indicator
- Test Tilt Switch Indicator

4-1.1. TEST EQUIPMENT REQUIRED

The following test equipment is required to perform the preventive maintenance/functional check-out procedures:

- GENTHERM's model TF100 86173 Dual-Matic (Temperature Tester, Flow Meter)
- Calibrated temperature measuring device
- Digital Safety Analyzer
- Leakage Current Tester

**PREVENTIVE MAINTENANCE CHECKLIST
MICRO-TEMP® LT SYSTEM- Model 749**

Hospital Control No. _____

Serial Number _____

Check When Completed

- 1. External cabinet in good condition. (No unusual dents or missing parts)
- 2. All labels properly affixed.
- 3. Quick disconnect couplings are tight, straight, and not leaking.
- 4. Power cord (no cuts or exposed wire) and plug (no bent or missing prongs).
- 5. Drain and clean reservoir. See Section (4-2).
- 6. Refill reservoir with sterile water or water that has been passed through a filter less than or equal to 0.22 microns. See Section (4-2.2).
- 7. Condition of pads, hoses, and couplings (check for leaks).
- 8. Permanently attached connecting hose is tight and not leaking.
- 9. Leakage current check; all readings should be under 300 microamps (100V/115V), and under 500 microamps (230V).

See Section (4-5).

OFF Normal Polarity _____
OFF Reverse Polarity _____

ON Normal Polarity _____
ON Reverse Polarity _____

- 10. Ground continuity check; readings should be under 0.2 ohms. Reference Section (4-6).
- 11. Check flow rate. Should be greater than or equal to 18 GPH (115V)
Should be greater than or equal to 15 GPH (100/230/240 Volt)
Reference Section (4-7).
Actual Flow Rate _____
- 12. Check >1°C indicator. Reference Section (4-8).
- 13. Check temperature accuracy. Reference Section (4-9).
- 14. Check the high limit safety 44°C +/- 0.5°C. Reference Section (4-10).
- 15. Check low water indicator. Reference Section (4-11).
- 16. Check power fail indicator. Reference Section (4-12).
- 17. Check tilt switch indicator. Reference Section (4-13).

Signature of Inspector

Date of Inspection

Figure 4-1 Micro-Temp® LT System – Maintenance Checklist

4-2. MAINTENANCE OF THE WATER RESERVOIR

The reservoir holds approximately 0.24 gallons (0.9 liters) of sterile water or water that has been passed through a filter less than or equal to 0.22 microns that remains in the unit between periods of use. Quarterly, the water reservoir should be drained and replenished.

NOTE: DO NOT USE DE-IONIZED WATER, DISTILLED WATER, TAP WATER, OR ALCOHOL.

4-2.1. DRAINING THE RESERVOIR

CAUTION

- | |
|---|
| <ul style="list-style-type: none"> Always drain the MICRO-TEMP® LT to a sanitary drain because bio-contaminants may be present in the unit's water supply. |
|---|

- A. Twist off reservoir cap.
- B. Turn unit upside down and pour water into sanitary drain.
- C. After all the water has drained from the unit, wipe, clean.
- D. If planning on storing the unit, perform the disinfection/dry storage procedure in Section (4-2.3) and store in a dry environment. (Refer to Section (7) specifications for storage conditions)
- E. If any other maintenance/repair is to be completed, go to the appropriate section. If not, go to Section (4-2.2) to replenish the reservoir.

4-2.2. REPLENISHING THE RESERVOIR

CAUTION

- | |
|---|
| <ul style="list-style-type: none"> Do not use alcohol. Alcohol may cause pad and unit deterioration. |
| <ul style="list-style-type: none"> Use Sterile water or water that has been passed through a filter less than or equal to 0.22 microns only. Do Not Use De-ionized water, Distilled water or tap water. Failure to use sterile water or water that has been passed through a filter less than or equal to 0.22 microns may result in poor performance and damage to the Micro-Temp® LT. |
| <ul style="list-style-type: none"> Do NOT fill the reservoir to the bottom of the strainer if there is water in the pad. This could cause an overflow when the unit is turned on. |

- A. Twist off the reservoir cap and gradually pour approximately 0.9 liters of sterile water or water that has been passed through a filter less than or equal to 0.22 microns into the reservoir. (DO NOT USE ALCOHOL, TAP WATER, DISTILLED WATER, OR DE-IONIZED WATER)
- B. Stop pouring when the water is visible at the bottom of the strainer in the water fill opening.
- C. Proceed with normal operations. Always check the water level before starting.

4-2.3. DISINFECTION/DRY STORAGE PROCEDURE FOR CIRCULATING WATER UNITS

Quarterly, at a minimum, the FLUID CIRCUIT DISINFECTION/DRY STORAGE PROCEDURE, listed below, should be conducted.

CAUTION
<ul style="list-style-type: none"> For safe handling and use of chemicals, follow manufacturer guidelines. Users should not use cleaning or decontamination methods different from those recommended by GENTHERM without first checking with GENTHERM that the proposed methods will not damage the equipment.
<ul style="list-style-type: none"> Always drain the MICRO-TEMP® LT to a sanitary drain because bio-contaminants may be present in the unit's water supply.

Chemical Cleaning Circulation Chart

UNIT	MODE	TEMPERATURE	DURATION
Micro-Temp® LT	Heating	38°C	5 Minutes

**FLUID CIRCUIT DISINFECTION/DRY STORAGE PROCEDURE
for Circulating Water Units Utilizing Household Bleach**

The following procedure disinfects the fluid circuit in these products. The required tools/supplies are appropriate drain hose(s) and/or hose connector(s), household bleach, Sterile water or water that has been passed through a filter less than or equal to 0.22 microns, and the appropriate AC electrical power

Procedure:

1. Drain the water from the reservoir as described in Section 4-2.1.
2. Turn unit **off** (“O” position).
3. Fill the reservoir with the appropriate amount of household bleach per the below chart.

UNIT	BLEACH	WATER
MICRO-TEMP® LT	27 Milliliters	873 Milliliters

4. Fill the reservoir with warm sterile water or water that has been passed through a filter less than or equal to 0.22 microns.
5. Attach bypass hose to the quick disconnect fittings of the unit.
6. Turn the unit on and circulate per the Chemical Cleaning Circulation Chart (above).
7. Drain the unit as instructed in Step #1.
8. Repeat Steps 3-6 three (3) times.
9. Rinse the unit three (3) times as described in Steps 4-6. Be sure to omit the household bleach (sodium hypochlorite).
10. After the third rinse, drain the unit and fill the reservoir with sterile water or water that has been passed through a filter less than or equal to 0.22 microns and circulate.
11. Check the water with pH strips or other appropriate test method for detecting bleach. If bleach is detected, repeat Steps 4-6.
12. Continue to fill the water reservoir with sterile water or water that has been passed through a filter less than or equal to 0.22 microns.
13. If unit is being **placed in dry storage**, continue with procedure.

14. When all fluid has been removed from the unit, disconnect the drain hose(s) and wipe unit clean.
15. Unit is now ready for storage. Refer to Section 7 for specifications for storage conditions.
16. Document unit maintenance.

When you are ready to return unit to service, replenish the reservoir(s) with sterile water or water that has been passed through a filter less than or equal to 0.22 microns. Perform all the checks as described in the respective Manual.

**FLUID CIRCUIT DISINFECTION/DRY STORAGE PROCEDURE
for Circulating Water Units Utilizing CE Approved Maranon H (Product of Ecolab)
(Maranon H Is Not Available In the United States)**

The following procedure disinfects the fluid circuit in these products. The required tools/supplies are appropriate drain hose(s) and/or hose connector(s), Maranon H, Sterile water or water that has been passed through a filter less than or equal to 0.22 microns, and the appropriate AC electrical power.

Procedure:

1. Drain the water from the reservoir as described in Section 4-2.1.
2. Turn unit **off ("O" position)**.
3. Fill the reservoir with the appropriate amount of Maranon H per the below chart.

UNIT	MARANON H	WATER
MICRO-TEMP® LT	27 Milliliters	873 Milliliters

4. Fill the reservoir with the appropriate amount of water per the above chart.
5. Attach bypass hose to the quick disconnect fittings of the unit.
6. Turn the unit on and circulate per the Chemical Cleaning Circulation Chart (above).
7. Drain the unit as instructed in Step #1.
8. Repeat Steps 3-6 three (3) times.
9. Rinse the unit three (3) times as described in Steps 4-6. Be sure to omit the Maranon H.
10. After the third rinse, drain the unit and fill the reservoir with sterile water or water that has been passed through a filter less than or equal to 0.22 microns and circulate.
11. Check the water with PH strips or another appropriate test method for Maranon H detection. If Maranon H is detected, repeat Steps 4-6.
12. If unit is to be **returned to service**, replenish reservoir(s) with the appropriate volume of sterile water or water that has been passed through a filter less than or equal to 0.22 microns.
13. If unit is being **placed in dry storage**, continue with procedure.
14. When all fluid has been removed from the unit, disconnect the drain hose(s) and wipe unit clean.
15. Unit is now ready for storage. Refer to Section 7 for specifications for storage conditions.
16. Document unit maintenance.

4-3. MAINTENANCE OF THE MICRO-TEMP® LT UNIT EXTERIOR – CLEANING INSTRUCTIONS

The MICRO-TEMP® LT unit is constructed of a medical grade plastic. For cleaning and disinfecting, always use conventional hospital-approved topical equipment cleaners and disinfectants that do not contain alcohol. Avoid alcohol and other strong, undiluted disinfectants. These may cause deterioration of the product's outer layer. Thoroughly wipe down device with a damp cloth to remove any residue from cleaning solutions.

4-4. DISPOSAL OF THE LOCALIZED HEAT THERAPY PADS

TEMP-PAD®, MAXI-THERM®, and MAXI-THERM® LITE pads are single patient use pads. Disposal of pads are done in a means consistent with hospital policy protocol for patient contact items. If in homecare setting, heat therapy pads can be disposed of in the trash.

4-5. CURRENT LEAKAGE TEST**WARNING**

- The repair, calibration, and servicing of the MICRO-TEMP® LT unit should be performed by qualified Medical Equipment Service Technicians, Certified Biomedical Electronics Technicians, or Certified Clinical Engineers familiar with good repair practices for servicing medical devices, and in accordance with instructions contained in this manual. **Improper repair can result in system damage and patient injury.**
- Always unplug the unit before accessing internal components during service. **Failure to unplug the unit could result in electric shock.**

A. Refer to leakage meter's manufacturing instructions for current leakage test.

B. Turn the MICRO-TEMP®LT unit ON and check all configurations stated below during the unit self-calibration:

Ground	Polarity
Open Ground	OFF Normal
Open Ground	ON Normal
Open Ground	OFF Reverse
Open Ground	ON Reverse

C. Record results on Maintenance Check List.

4.6 GROUND CONTINUITY TEST

WARNING

- The repair, calibration, and servicing of the MICRO-TEMP® LT unit should be performed by qualified Medical Equipment Service Technicians, Certified Biomedical Electronics Technicians, or Certified Clinical Engineers familiar with good repair practices for servicing medical devices, and in accordance with instructions contained in this manual. **Improper repair can result in system damage and/or patient injury.**
- Always unplug the unit before accessing internal components during service. **Failure to unplug the unit could result in electric shock.**

Equipment needed: Multimeter

- A. Measure the resistance between the equipment grounding terminal on the back of the unit and the ground pin of the power cord plug.

Note: The 100 and 115V units have a ground bolt and the 230/240V units have a ground lug.

- B. Resistance should be less than 0.2 Ohm.
-

4.7 FLOW RATE TEST

WARNING

- The repair, calibration, and servicing of the MICRO-TEMP® LT unit should be performed by qualified Medical Equipment Service Technicians, Certified Biomedical Electronics Technicians, or Certified Clinical Engineers familiar with good repair practices for servicing medical devices, and in accordance with instructions contained in this manual. **Improper repair can result in system damage and/or patient injury.**
- Always unplug the unit before accessing internal components during service. **Failure to unplug the unit could result in electric shock.**

- A. Attach Dual-Matic to end of 8ft hoses.
- B. Turn unit on.
- C. Record flow rate. Flow rate must be 18 GPH or greater for 115 Volt units.
Flow rate must be 15 GPH or greater for 100/230/240 Volt units

4.8 >1°C (2°F) OVER SET POINT CHECK**WARNING**

- The repair, calibration, and servicing of the MICRO-TEMP® LT unit should be performed by qualified Medical Equipment Service Technicians, Certified Biomedical Electronics Technicians, or Certified Clinical Engineers familiar with good repair practices for servicing medical devices, and in accordance with instructions contained in this manual. **Improper repair can result in system damage and/or patient injury.**
- Always unplug the unit before accessing internal components during service. **Failure to unplug the unit could result in electric shock.**

- Turn unit on and set for 42°C.
 - Allow water to stabilize at 42°C.
 - Lower the set point value to 40°C.
 - Observe 2 audible beeps while flashing the red “Power Failure/Caution” LED and the display flashing the actual water temperature until the temperature reaches the set point.
-

4.9 TEMPERATURE ACCURACY CHECK**WARNING**

- The repair, calibration, and servicing of the MICRO-TEMP® LT unit should be performed by qualified Medical Equipment Service Technicians, Certified Biomedical Electronics Technicians, or Certified Clinical Engineers familiar with good repair practices for servicing medical devices, and in accordance with instructions contained in this manual. **Improper repair can result in damage to the system and patient injury.**
- Always unplug the unit before accessing internal components during service. **Failure to unplug the unit could result in electric shock.**

- Make sure the set point is already set to maximum 42°C (107°F).
- Attach Dual-Matic to end of eight foot hoses.
- Insert a calibrated temperature measuring device into the thermometer well of the Dual-Matic.
- Allow unit to stabilize for 5 minutes after reaching maximum temperature.
- Take two temperature readings approximately one minute apart. Verify temperatures are within $\pm 1^\circ\text{C}$ (2°F) of set point.

4.10 HIGH LIMIT SAFETY CHECK**WARNING**

- The repair, calibration, and servicing of the MICRO-TEMP® LT unit should be performed by qualified Medical Equipment Service Technicians, Certified Biomedical Electronics Technicians, or Certified Clinical Engineers familiar with good repair practices for servicing medical devices, and in accordance with instructions contained in this manual. **Improper repair can result in damage to the system and patient injury.**
- Always unplug the unit before accessing internal components during service. **Failure to unplug the unit could result in electric shock.**

- While depressing the “Increment”, “Decrement” and “SET” buttons simultaneously, turn unit ON. Continue to press and hold buttons until audible and visual high temp indicator is indicated, then release buttons.
- Simultaneously press “Increment”, “Decrement” and “SET” buttons again then release and press “SET” button.
Note: Do not touch any other buttons.
- Unit will heat until it reaches the high limit indicator $44^{\circ}\text{C} \pm 0.5^{\circ}\text{C}$ ($111^{\circ}\text{F} \pm 1^{\circ}\text{F}$).
- Verify display shows 44°C (111°F). Verify temperature is within allowable range of $44^{\circ}\text{C} \pm 0.5^{\circ}\text{C}$ ($111^{\circ}\text{F} \pm 1^{\circ}\text{F}$). Verify audible and visual indicators and that the pump and heater shut off.
- Turn unit off and allow the unit to cool down below 40°C before proceeding.

4.11 LOW WATER INDICATOR CHECK**WARNING**

- The repair, calibration, and servicing of the MICRO-TEMP® LT unit should be performed by qualified Medical Equipment Service Technicians, Certified Biomedical Electronics Technicians, or Certified Clinical Engineers familiar with good repair practices for servicing medical devices, and in accordance with instructions contained in this manual. **Improper repair can result in damage to the system and patient injury.**
- Always unplug the unit before accessing internal components during service. **Failure to unplug the unit could result in electric shock.**

CAUTION

- Always drain the MICRO-TEMP® LT unit to a sanitary drain because bio-contaminants may be present in the unit’s water supply.

- Twist off reservoir cap.

- B. Turn unit upside down and pour water into sanitary drain until the water level is to the bottom of the sight window.
- C. Turn unit ON.
- D. Verify “Low Water” indicator illuminates, and the pump shuts off.
- E. With unit still on, refill reservoir as described in Section (4-2.2) to ensure indicator condition cancels and unit returns to previous operation when sufficient water level obtained.
- F. Turn the unit power switch to “O” (OFF).

4.12 POWER FAILURE INDICATOR CHECK

WARNING

- The repair, calibration, and servicing of the MICRO-TEMP® LT should be performed by qualified Medical Equipment Service Technicians, Certified Biomedical Electronics Technicians, or Certified Clinical Engineers familiar with good repair practices for servicing medical devices, and in accordance with instructions contained in this manual. **Improper repair can result in damage to the system and patient injury.**
- Always unplug the unit before accessing internal components during service. **Failure to unplug the unit could result in electric shock.**

- A. Turn unit ON.
- B. After unit has been running for approximately 2 minutes (in order to charge the capacitor), disconnect the power cord from the power source.
- C. Verify the power failure indicator sounds and the red “Power Failure/Caution” LED illuminates within 20 seconds of the unit being unplugged.
- D. Turn unit off.
- E. If the indicator continues to occur, turn the power switch off and unplug the unit if it is not already unplugged. Then, plug the unit into the power source and turn the power switch “ON”. If the Power Failure/Caution LED flashes and the audible indicator continues to sound, remove the unit from service and send to Biomedical Engineering for repair.

4.13 TILT SWITCH INDICATOR CHECK**WARNING**

- The repair, calibration, and servicing of the MICRO-TEMP® LT should be performed by qualified Medical Equipment Service Technicians, Certified Biomedical Electronics Technicians, or Certified Clinical Engineers familiar with good repair practices for servicing medical devices, and in accordance with instructions contained in this manual. **Improper repair can result in damage to the system and patient injury.**
- Always unplug the unit before accessing internal components during service. **Failure to unplug the unit could result in electric shock.**

A. Tilt unit front, back, and side to side at least 25° from horizontal and hold.

1. Verify that the unit shuts down, the audible indicator sounds, and the red "Power Failure/Caution" LED illuminates when tilted in each direction.

NOTE: *The audible indicator will sound after a 5 second delay.*

B. Tilt unit back to acceptable, level position.

1. Verify indicator condition cancels and unit resumes previous operation.
2. If the indicator continues to occur, then turn the power switch off and unplug the unit if it is not already unplugged. Then, plug the unit into the power source and turn the power switch "ON". If the Power Failure/Caution LED flashes and then audible indicator continues to sound, remove the unit from service and send to Biomedical Engineering for repair.

SECTION 5. FIELD REPAIR/SERVICE OF THE MICRO-TEMP® LT UNIT

WARNING

- Always unplug the unit before accessing internal components during service. **Failure to unplug the unit could result in electric shock.**
- The repair, calibration, and servicing of the MICRO-TEMP® LT should be performed by qualified Medical Equipment Service Technicians, Certified Biomedical Electronics Technicians, or Certified Clinical Engineers familiar with good repair practices for servicing medical devices, and in accordance with instructions contained in this manual. **Improper repair can result in system damage and patient injury.**
- **Before** returning the MICRO-TEMP® LT system to patient use **after** repairs, the MAINTENANCE CHECKLIST in Section 4 must **always** be performed. **Improper repair and inadequate maintenance can result in system damage and patient injury.**

Complete the applicable parts of the First Time Set-Up/System Test Routine described in Section (2-3) to determine that the unit is operating.

5-1. INTRODUCTION

This section describes the repair and service tasks that qualified maintenance personnel can complete in the field if a problem should occur. These tasks include servicing any of the following:

1. Membrane Control Panel
2. Heater
3. Control board
4. Display board
5. I/O Power Switch
6. Pump
7. Water Level Sensor
8. Water Temperature Sensor

The description of each task includes the tools, the procedures, and the precautions necessary to complete the task. Maintenance, repair, and/or service of the MICRO-TEMP® LT by qualified maintenance/technical personnel **will not** void the warranty of the unit.

The following are required tools necessary for part repair/service:

- #2 Phillips Screw Driver / Cordless Drill with Phillips Tip
- Hex Head Screw Driver
- Flat Head Screw Driver
- Pointed Nose Pliers
- Assorted Nut Driver Set
- Pin Pusher
- 3 mm Hex Key (Allen) Wrench

Figures (5-1), (6-1), (6-3), and (6-5) highlight the interior components of the MICRO-TEMP® LT unit. The internal components referenced in Figure (5-1) are as follows:

- A. Water Temperature Sensor
- B. Heater
- C. Water Level Sensor
- D. Reservoir
- E. Heater Mounting Plate
- F. Control Board
- G. Display Board

If any part that is removed from the unit is still under warranty, return it to the factory as described in Section (6-4). If it is not under warranty, dispose of the part as required.

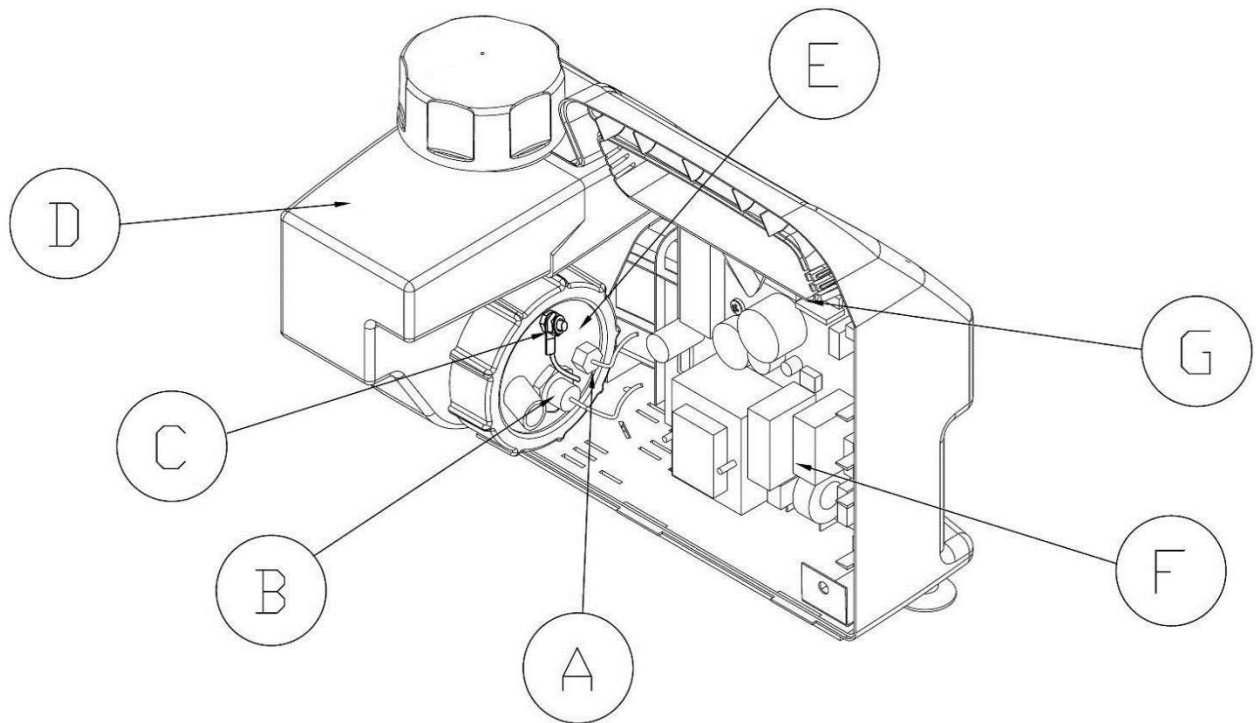


Figure 5-1 Micro-Temp® LT Unit –Exposed Rear View

5-2. ACCESS TO THE INTERIOR OF THE MICRO-TEMP® LT UNIT

All internal operating components are readily accessible by separating the front and rear enclosure.

NOTE: DRAIN THE RESERVOIR AND DISCONNECT THE POWER CORD FROM THE POWER SOURCE BEFORE REMOVING ANY PART FROM THE UNIT.

5-2.1. SEPARATING THE FRONT AND REAR ENCLOSURES

WARNING

- Always unplug the unit before accessing internal components during service. **Failure to unplug the unit could result in electric shock.**

- A. Using a 3 mm Hex Key (Allen) Wrench, remove the four screws from the back of the unit.
- B. Carefully pull the front and rear enclosure apart.

Note: Hose may need to slide through strain relief to provide ample room for maintenance.

5-2.2. RECONNECTING THE FRONT AND REAR ENCLOSURES

WARNING

- Always unplug the unit before accessing internal components during service. **Failure to unplug the unit could result in electric shock.**
- ALL ground wires must be connected. **Improper grounding may result in electric shock.**

- A. Check all electrical and plumbing connections before reconnecting front and rear enclosure.
- B. Slide the front and rear enclosures together.

Note: Make sure no electrical wires are sticking out of the unit.

Note: Make sure the black rubber skirt around the reservoirs water fill opening is resting on top of the front and rear enclosures when they are together.

- C. Insert and screw in the four screws with a 3mm Hex Key (Allen) Wrench.

5-2.3. DISCONNECTING THE CABLES FROM THE CONTROL BOARD**WARNING**

- Always unplug the unit before accessing internal components during service. **Failure to unplug the unit could result in electric shock.**
- Working with electronic boards, plugs, and cables requires delicate handling. Proper Electrostatic Discharge (ESD) procedures should be followed during replacement of any electronic board. **Failure to do so may result in damage to the board.**

- A. Separate the front enclosure from the rear enclosure. Refer to Section (5-2.1).

NOTE: DO NOT BEND ANY OF THE TERMINALS.

- B. Locate the following connectors on the control board and disconnect them by pinching the sides to disengage the connector lock, as required:

CONNECTOR	J POSITION
White ribbon cable	J1 position
Blue 7-position membrane ribbon cable connector	J2 position
White 2-position water level connector	J3 position
White 4-position temp sensor connector	J5 position
White 3-position alarm enable connector	J6 position
Red 6-position power connector	J7 position

5-2.4. DISCONNECTING THE CABLES FROM THE DISPLAY BOARD**WARNING**

- Always unplug the unit before accessing internal components during service. **Failure to unplug the unit could result in electric shock.**
- Working with electronic boards, plugs, and cables requires delicate handling. Proper Electrostatic Discharge (ESD) procedures should be followed during replacement of any electronic board. **Failure to do so may result in damage to the board.**

- A. Remove cables from control board. Refer to Section (5-2.3).
- B. Remove the seven 6-32" screws that secure the control board and remove board.
- C. Using 7 mm nut driver, remove metal and plastic nuts that secure the display board.
- D. Remove ground wire on display board.
- E. Pull out display board.

- F. Where white ribbon cable attaches to display board, pull out the tabs on the side of the connector.
- G. Pull white ribbon cable out of connector.

5-3. REPLACEMENT OF THE HEATER

WARNING

- Always unplug the unit before accessing internal components during service. **Failure to unplug the unit could result in electric shock.**

CAUTION

- Always drain the MICRO-TEMP® LT unit to a sanitary drain because bio-contaminants may be present in the unit's water supply.

- A. Drain the reservoir as described in Section (4-2.1).
- B. Separate the front and rear enclosure as described in Section (5-2.1).
- C. Using 5/16" nut driver or 5/16" socket, unscrew 6-32" nylon locknut from enclosure bracket and remove all ground wires up to the kepnut on the bracket.

Note: The kepnut with power switch ground wire and star washer should remain attached to enclosure bracket.
- D. Disconnect the red 6-position connector from the control board (J7 position).
- E. Locate the two white wires coming from the heater. Remove white wires from the 6-position connector by using a pin pusher.
- F. Loosen hose clamp from the connecting hose that is attached to the reservoir.
- G. Remove reservoir from unit.
- H. Twist off heater plate cap on reservoir and remove the heater mounting plate.
- I. Locate the heater inserted at the center of the heater mounting plate.
- J. Remove the nut securing the heater to the heater mounting plate.
- K. Remove heater by twisting in counterclockwise direction.
- L. Insert and tighten the replacement heater on the heater plate with washer on the inside of the plate. Secure with nut using 3/4" slotted socket.
- M. Reposition heater mounting plate on reservoir. Align Water Sensor Screw on Heater Plate with top of reservoir. Secure by twisting on the heater cap.

- N. Insert and lock the 2 white wires from the heater into the 2 open slots on the 6-position connector (position number 3 and 5).
- O. Insert and reposition reservoir back into rear enclosure.
- P. Tighten hose clamp on the connecting hose between the reservoir outlet and the pump inlet.
- Q. Reconnect the red 6-position connector to control board (J7 position).
- R. Place the following in the order numbered below on the top of the kepnut on the enclosure bracket:
1. Equipment ground terminal ground wire.
 2. Heater ground wire.
 3. Display ground wire.
 4. Alarm enable ground wire (small green wire).
 5. Secure with the 6-32" nylon locknut.
- S. Check that all cables are still attached to control board before closing unit.
- T. Reconnect front and rear enclosure as described in Section (5-2.2).
- U. Refill the reservoir as described in Section (4-2.2).

5-4. REPLACEMENT OF THE PUMP

WARNING

- Always unplug the unit before accessing internal components during service. **Failure to unplug the unit could result in electric shock.**

- A. Obtain replacement pump.

NOTE: When replacing the pump, be aware of the inline capacitor.

CAUTION

- Always drain the MICRO-TEMP® LT unit to a sanitary drain because bio-contaminants may be present in the unit's water supply.

- B. Drain the reservoir as described in Section (4-2.1).
- C. Separate the front and rear enclosure as described in Section (5-2.1).
- D. Unscrew hose clamps attached to both the pump inlet and reservoir outlet.
- E. Cut wire tie attached to pump outlet.
- F. Disconnect elbow from pump outlet.

- G. Disconnect white and black pump lead wires.
 - H. Unscrew all four 8-32" Phillips head pump mounting screws from base.
 - I. Remove pump (with brackets and connecting hose between pump and reservoir still attached) from enclosure.
 - J. Remove connecting hose from pump and set aside for later use.
 - K. Remove brackets from pump by unscrewing 8-32" nylon lock nut on stud of each bracket.
 - L. Install brackets onto new pump, aligning the edges of the brackets with the edges of the pump mount and tightening both brackets with a nylon lock nut.
 - M. Slide the connecting hose back onto the inlet of the pump. Be sure hose clamps are loosely on connecting hose.
 - N. Insert pump into rear enclosure, making sure connecting hose properly aligns with pump and reservoir.
 - O. Replace the four 8-32" Phillips head screws to the base.
 - P. Tighten both hose clamps on the connecting hose between the reservoir outlet and the pump inlet.
 - Q. Reattach elbow to outlet of pump and replace wire tie.
 - R. Reconnect black and white pump lead wires to appropriate board wires.
 - S. Check that all cables are still attached to control board before closing unit.
 - T. Reconnect front and rear enclosure as described in Section (5-2.2).
 - U. Refill the reservoir as described in Section (4-2.2).
-

5-5. REPLACEMENT OF THE RESERVOIR**WARNING**

- Always unplug the unit before accessing internal components during service. **Failure to unplug the unit could result in electric shock.**

CAUTION

- Always drain the MICRO-TEMP® LT unit to a sanitary drain because bio-contaminants may be present in the unit's water supply.

- Obtain a replacement reservoir.
 - Drain the reservoir as described in Section (4-2.1).
 - Separate the front and rear enclosure as described in Section (5-2.1).
 - Loosen hose clamp on the connecting hose that is attached to output hole of heater plate.
 - Carefully remove reservoir from unit.
 - Remove heater plate from reservoir by unscrewing heater cap.
 - Reposition heater mounting plate on reservoir. Align Water Sensor Screw on Heater Plate with top of reservoir. Secure by twisting on the heater cap.
 - Remove the black rubber skirt from the reservoirs water fill opening and set aside.
 - Insert new reservoir back into rear enclosure.
 - Reinsert the pump connecting hose to the output hole of the heater plate and tighten hose clamp.
 - Check that all cables are still attached to control board before closing unit.
 - Reconnect front and rear enclosure as described in Section (5-2.2).
 - Place the black rubber skirt that was set aside in Step H, around the new reservoirs water fill opening, just underneath the threads.
 - Refill the reservoir as described in Section (4-2.2).
-

5-6. REPLACEMENT OF THE TWIN BLACK TUBING

- A. Contact GENTHERM Technical Service.
-

5-7. REPLACEMENT OF THE WATER TEMPERATURE SENSOR (THERMISTOR)

WARNING

- | |
|---|
| <ul style="list-style-type: none">• Always unplug the unit before accessing internal components during service. Failure to unplug the unit could result in electric shock. |
|---|

CAUTION

- | |
|--|
| <ul style="list-style-type: none">• Always drain the MICRO-TEMP® LT unit to a sanitary drain because bio-contaminants may be present in the unit's water supply. |
|--|

- A. Obtain replacement water temperature sensor.
- B. Drain the reservoir as described in Section (4-2.1).
- C. Separate the front and rear enclosure as described in Section (5-2.1).
- D. Loosen hose clamp on connecting hose to output hole of heater plate on reservoir.
- E. Disconnect cables from the control board as described in Section (5-2.3).
- F. Remove reservoir from unit.
- G. Twist off heater cap on reservoir and remove heater mounting plate.
- H. Locate the water temperature sensor inserted at the right of the heater on the heater mounting plate.
- I. Remove water temperature sensor using 7/16" open-end wrench by turning in counterclockwise direction. Set water temperature sensor aside.
- J. Wrap 4" of Teflon tape around the threading of the new water temperature sensor, then insert and tighten the sensor into the brass fitting using a 5/8" open end wrench.
- K. Insert the brass fitting into the heater mounting plate.
- L. Place rubber gasket onto the brass fitting, and then the stainless steel washer.
- M. Secure the brass fitting to the heater plate with the brass jam nut.
- N. Tighten brass fitting until snug using an 11/16" open-end wrench (a 7/16" open-end wrench can be used if necessary to hold the sensor in place).

- O. Reposition heater mounting plate on reservoir. Align Water Sensor Screw on Heater Plate with top of reservoir. Secure by twisting on the heater cap.
- P. Reposition reservoir back into rear enclosure.
- Q. Reinsert the pump connecting hose to the output hole of the heater plate and tighten hose clamp.
- R. Reconnect cables to control board.
- S. Check that all cables are still attached to control board before closing unit.
- T. Reconnect front and rear enclosure as described in Section (5-2.2).
- U. Refill the reservoir as described in Section (4-2.2).

5-8. REPLACEMENT OF THE I/O POWER SWITCH

WARNING

- Always unplug the unit before accessing internal components during service. **Failure to unplug the unit could result in electric shock.**
- For continued protection against risk of fire, replace only with same type and rating of fuse. **Electrical hazards may result.**

- A. Obtain the replacement I/O power switch.
- B. Drain reservoir as described in Section (4-2-1).
- C. Separate front and rear enclosure. Refer to Section (5-2.2).
- D. Using 5/16" nut driver, unscrew the 6-32" nylon locknut from enclosure bracket and remove all ground wires including first kepnut from bracket.
- E. Disconnect J6 position connector and J7 position connector from control board.
- F. On the red 6-position connector remove the two white heater wires with pin pusher.
- G. Unscrew the two kepnuts that secure the power switch on the inside of the rear enclosure with a 7mm nut driver.
- H. Remove the power switch and attached cables to the outside of the unit.
- I. Using a Flat Head screw driver, open the fuse housing area on the power switch assembly by prying open the cover.
- J. Remove the fuse holders and fuses from the power switch assembly.
- K. If needed, obtain 2 new fuses for the new power switch assembly. Remove the old fuses and place each of the new fuses inside a respective fuse holder.

- L. If new fuses are not needed, keep current fuses in their respective fuse holder.
- M. Using a Flat Head screw driver, open the new power tab switch by prying open the cover.
- N. Place fuses with fuse holders into the open area in the power switch.

Note: Make sure arrows on fuse holders correspond with the arrows indicated on the power switch.

- O. Close power switch tab.
 - P. Insert replacement switch with attached cables into rear enclosure.
 - Q. Using 7mm nut driver, secure screws with two kepnuts on the inside of the rear enclosure.
 - R. Reattach two white heater wires to red 6-position connector.
 - S. Reconnect power switch cables to control board.
 - T. Place the following in the order numbered below on the top of the kepnut on the pump bracket stud:
 - 1. Star washer.
 - 2. Power switch ground wire.
 - 3. Kepnut.
 - 4. Equipment ground terminal ground wire.
 - 5. Heater ground wire.
 - 6. Display ground wire.
 - 7. Alarm enable ground wire (small green wire).
 - 8. Secure with the 6-32" nylon locknut.
 - U. Check that all cables are still attached to control board before closing unit.
 - V. Reconnect front and rear enclosure as described in Section (5-2.2).
 - W. Refill the reservoir as described in Section (4-2.2).
-

5-9. REPLACEMENT OF FUSES IN THE I/O POWER SWITCH**WARNING**

- Always unplug the unit before accessing internal components during service. **Failure to unplug the unit could result in electric shock.**
- For continued protection against risk of fire, replace only with same type and rating of fuse. **Electrical hazards may result.**

- Obtain new fuse/s.
- Using a Flat Head screw driver, open the fuse housing area on the power switch by prying open the cover.
- Pull out the fuse holders with fuses from the power switch
- Remove bad fuse/s from fuse holder/s.
- Install new fuses inside a respective fuse holder.
- Re-insert fuses with fuse holders into the open area in the power switch.

Note: Make sure arrows on fuse holders correspond with the arrows indicated on the power switch.

- Close power switch tab.
-

5-10. REPLACEMENT OF THE WATER LEVEL SENSOR ASSEMBLY**WARNING**

- Always unplug the unit before accessing internal components during service. **Failure to unplug the unit could result in electric shock.**

CAUTION

- Always drain the MICRO-TEMP® LT unit to a sanitary drain because bio-contaminants may be present in the unit's water supply.

- Obtain a replacement water level sensor.
- Drain the reservoir as described in Section (4-2.1).
- Separate the front and rear enclosure as described in Section (5-2.1).
- Disconnect the 2 pin water level sensor connector (J3 Position) from the control board.

- E. Locate the water level sensor inserted above the heater on the heater mounting plate. Refer to Figure (5-1) and Figure (6-5).
- F. Remove water level sensor wire from the mounting plate by removing the nylon lock nut using an 11/32" nut driver. Slide out the sensor wire. Set water level sensor aside.
- G. Insert and tighten the replacement water level sensor wire in the heater mounting plate by securing with 8-32" nylon lock nut.
- H. Reconnect the 2 pin water level sensor connector to the J3 Position on the control board.
- I. Check that all cables are still attached to control board before closing unit.
- J. Reconnect front and rear enclosure as described in Section (5-2.2).
- K. Refill the reservoir as described in Section (4-2.2).

5-11. REPLACEMENT OF THE CONTROL BOARD AND/OR DISPLAY BOARD AND/OR THE MEMBRANE CONTROL PANEL

WARNING

- Always unplug the unit before accessing internal components during service. **Failure to unplug the unit could result in electric shock.**
- Working with electronic boards, plugs, and cables requires delicate handling. Proper Electrostatic Discharge (ESD) procedures should be followed during replacement of any electronic board. **Failure to do so may result in damage to the board.**

REPLACEMENT OF THE CONTROL BOARD

- A. Drain the reservoir as described in Section (4-2.1).
- B. Separate the front and rear enclosure as described in Section (5-2.1).
- C. Disconnect cables from the control board as described in Section (5-2.3).
- D. Unscrew the seven 6-32" Phillips head screws that secure the board to the front enclosure.
- E. Remove control board and set aside.
- F. Install new control board.
- G. Secure board to front enclosure with seven 6-32" Phillips head screws.

Note: Insert the short screw into the hole at the bottom right of the control board (near the J6 Position of the board).

- H. Reattach cables to control board. Refer to Section (5-2.3).
- I. Reconnect front and rear enclosure as described in Section (5-2.2).
- J. Refill the reservoir as described in Section (4-2.2).

REPLACEMENT OF THE DISPLAY BOARD

- A. Drain the reservoir as described in Section (4-2.1).
- B. Separate the front and rear enclosure as described in Section (5-2.1).
- C. Disconnect cables from control board as described in Section (5-2.3).
- D. Unscrew the seven 6-32" Phillips head screws that secure the control board to the front enclosure.
- E. Remove control board and set aside.
- F. Using 7 mm nut driver, remove plastic nut, nylon locknut, internal tooth washer and ground wire from display board.
- G. Pull out display board.
- H. Install new display board.
- I. Reinstall the left side of the board with internal tooth washer, ground wire, and nylon locknut. Secure right side of board with plastic nut.
- J. Reinstall control board.
- K. Secure control board to front enclosure with seven 6-32" Phillips head screws.

Note: Insert the short screw into the hole at the bottom right of the control board (near the J6 Position of the board).

- L. Reattach cables to control board. Refer to Section (5-2.3).
- M. Reconnect front and rear enclosure as described in Section (5-2.2).
- N. Refill the reservoir as described in Section (4-2.2).

REPLACEMENT OF MEMBRANE PANEL

- A. Drain the reservoir as described in Section (4-2.1).
- B. Separate the front and rear enclosure as described in Section (5-2.1).
- C. Disconnect cables from control board as described in Section (5-2.3)
- D. Remove the control board and display board as described above in "Replacement of the display board" Steps D – G.
- E. Obtain new membrane control panel.
- F. Forcefully pull off old membrane control panel.

NOTE: *Some force may be required due to adhesive.*

- G. Remove protective backing from new membrane control panel.
- H. Slide ribbon through right hand slot on the front of the front enclosure.
- I. Push down on membrane control panel to secure.
- J. Reinstall display board.
- K. Reinstall the left side of the board with internal tooth washer, ground wire, and nylon locknut. Secure right side of board with plastic nut.
- L. Reinstall control board.
- M. Secure control board to front enclosure with seven 6-32" Phillips head screws.

Note: *Insert the short screw into the hole at the bottom right of the control board (near the J6 Position of the board).*

- N. Reattach cables to control board. Refer to Section (5-2.3).
 - O. Reconnect front and rear enclosure as described in Section (5-2.2).
 - P. Refill the reservoir as described in Section (4-2.2).
-

5-12. TROUBLESHOOTING GUIDE

TROUBLESHOOTING GUIDE		
OBSERVATION	POSSIBLE PROBLEM	ACTION TO BE TAKEN
A. Unit will not turn on.	Unit not plugged into proper voltage supply.	Plug unit into proper voltage supply. See Section (7) for electrical specifications.
	Blown fuse.	Replace fuse. Refer to Section (5-9).
	Improper connections to control board.	Correct connections to control board. Refer to Section (5-2.3).
B. Unit turns on but will not pump.	Low water.	Add more water to the reservoir.
	Unit tilted.	Place the unit on a level surface.
	Water level sensor fault.	Turn off unit. Replace/Repair the water level sensor. Refer to Section (5-10).
	Control board failure.	Turn off unit. Replace Control Board. Refer to Section (5-11).
	High temperature	Check pad connections. Wait a few minutes for water temp to decrease or turn off unit and allow water temperature to cool.
	Improper connections to control board.	Correct connections to control board. Refer to Section (5-2.3).
	Defective pump.	Turn unit off. Replace pump. Refer to Section (5-4).

TROUBLESHOOTING GUIDE		
OBSERVATION	POSSIBLE PROBLEM	ACTION TO BE TAKEN
C. Unit will heat but pump will not run.	Defective pump.	Replace pump. Refer to Section (5-4).
	Improper connections to control board.	Correct connections to control board. Refer to Section (5-2.3).
D. Pump runs but unit will not heat.	Defective heater	Replace the heater. Refer to Section (5-3).
	Temp >1°C over the set point.	Check pad connections. Wait a few minutes for water temp to decrease.
	Improper connections to control board.	Correct connections to control board. Refer to Section (5-2.3).
E. Press a button and nothing happens.	Blue ribbon cable disconnected from control board.	Correct connection to the control board. Refer to Section (5-2.3).
	Defective control panel.	Replace control panel. Refer to Section (5-11).
F. Display will not illuminate	White ribbon cable connector between the display board and control board is disconnected or was improperly connected to the display control board or control board.	Correct white ribbon cable connections between control board and/or display board. Refer to Section (5-2.3) and Section (5-2.4).
	Defective control panel and/or display board.	Replace control panel and/or display board. Refer to Section (5-11).

TROUBLESHOOTING GUIDE		
OBSERVATION	POSSIBLE PROBLEM	ACTION TO BE TAKEN
G. Low Water Caution light on.	Reservoir water level too low.	Add more water to the reservoir.
	Water level sensor wire has a loose connection to control board.	Properly reconnect the wire to the J3 position of the control board.
	Defective water level sensor.	Replace water level sensor wire. Refer to Section (5-10).
	Lack of conductivity in reservoir.	Add sterile water or water that has been passed through a filter less than or equal to 0.22 microns as instructed in Section 4-2.2. of this manual. This procedure improves conductivity of the water in the reservoir allowing improved low water indicator function.
H. Audible indicator sounds.	Temperature readout indicates 111°F / 44°C or higher.	Unit has reached high limit. Turn unit off and allow unit to cool. Service required.
	Power failure.	Restore power to the unit.
	Unit tilted.	Place the unit on a level surface.
	Temp >1°C over set point.	Check pad connections. Wait a few minutes for water temp to decrease.
	Water level sensor fault.	Turn OFF unit and make repairs based on the display message. Refer to Section (3-5-B).
	Water Temperature Sensor defect.	Service unit.
	Membrane Keypad fault.	Service unit.
Microprocessor failure.	Service unit.	

TROUBLESHOOTING GUIDE		
OBSERVATION	POSSIBLE PROBLEM	ACTION TO BE TAKEN
I. Red "Power Failure/Caution" LED on	Water too hot.	Check pad connections. Wait a few minutes for water temperature to decrease. If the display alternates between flashing "HL" and the actual water temperature, turn unit off, allow unit to cool and then service required.
	Defective control board.	Replace the control board. Refer to Section (5-11.)
	Unit tilted.	Place the unit on a level surface.
	Temp >1°C over set point.	Check pad connections. Wait a few minutes for water temp to decrease.
	Water level sensor fault.	Turn OFF unit and make repairs based on the display message. Refer to Section (3-5).
	Power failure.	Restore power to the unit.
J. Ground continuity exceeds 0.2 ohm.	Loose or disconnected ground (green) wire(s).	Tighten or reconnect ground wires.
	Defective connector on ground wire.	Replace defective connector.
	Defective power cord.	Replace power cord.
K. Leakage current exceeds 300 microamperes (100V/115V), or exceeds 500 microamperes (230V).	Defective power supply.	Replace power supply. Refer to Section (5-8).
	Defective heater	Replace heater. Refer to Section (5-3).
	Defective pump.	Replace pump. Refer to Section (5-4).

SECTION 6. PARTS INFORMATION

6-1. INTRODUCTION

This section outlines information for ordering, shipping and replacing parts of the MICRO-TEMP® LT unit, Model 749. Identification of parts and components are shown in Figures (6-2), (6-4) and (6-6). The numbers in Figures (6-1), (6-3), and (6-5) correspond to the numbers in the accompanying parts list in Figures (6-2), (6-4), and (6-6). Figure (6-7) diagrams the functional operation of the unit and Figure (6-8) lists the MICRO-TEMP® LT System equipment and accessories.

6-2. ORDERING INFORMATION FOR REPLACEMENT PARTS

Replacement parts are available directly from GENTHERM or through our authorized MICRO-TEMP® LT system dealer. When ordering parts, specify the replacement part number as well as the serial number of your unit located on the specification label on the back of the unit. There is no minimum order requirement for replacement parts. Section (6-3) outlines the recommended replacement parts inventory.

It is strongly recommended that all parts be replaced with parts purchased from GENTHERM. Use of other parts could void the warranty on the unit and possibly damage the unit.

6-3. RECOMMENDED REPLACEMENT PARTS INVENTORY

Part Number	Qty.	Description
91090	1	Pump (100V)
91091	1	Pump (115V)
91092	1	Pump (230-240V)
65160	1	Heater (100V)
65161	1	Heater (115V)
65162	1	Heater (230/240V)
41002	1	Thermistor
91162	1 pkg of 5	63 mAmp Fuse for Control Board (230/240V)
91163	1 pkg of 5	GDC-1 Fuse for Power Switch (230/240V)
91164	1 pkg of 5	125mAmp Fuse for Control Board (100/115V)
91165	1 pkg of 5	2 Amp Fuse for Power Switch (100/115V)

6-4. RETURNING PARTS UNDER WARRANTY

All parts are covered by a one year warranty. Before returning any parts or units to GENTHERM, first obtain an RMA number from our Medical Technical Service Department. To replace parts during the warranty period, send the part prepaid to:

Gentherm Medical, LLC.
12011 Mosteller Road
Cincinnati, Ohio 45241
Toll Free: 1 (800) 989-7373
Fax: (513) 772-9119

To qualify for credit, warranty parts should be tagged with the following information:

1. The invoice number under which the unit/part was purchased
2. Description of failure
3. Serial number of unit (The serial number is located on the specification label attached to the unit's rear panel.)
4. Date of installation or purchase
5. Return Materials Authorization (RMA) number*

* You **must** first obtain a RMA number by calling the factory prior to returning.

6-5. SHIPPING PARTS

Parts to be returned to the factory must be carefully packaged, especially the control board and display board. These boards should be cushioned in static safe packaging material to prevent damage from Electro Static Discharge (ESD).

***NOTE: SHIPPING DAMAGE WILL BE THE
RESPONSIBILITY OF THE SHIPPER.
INSURE IF NECESSARY.***

***NOTE: IF CONTROL BOARD AND/OR DISPLAY
BOARD IS NOT SHIPPED IN STATIC
SAFE PACKAGING, WARRANTY WILL BE
VOID.***

If shipping entire unit, the entire system **must** be drained before shipping.

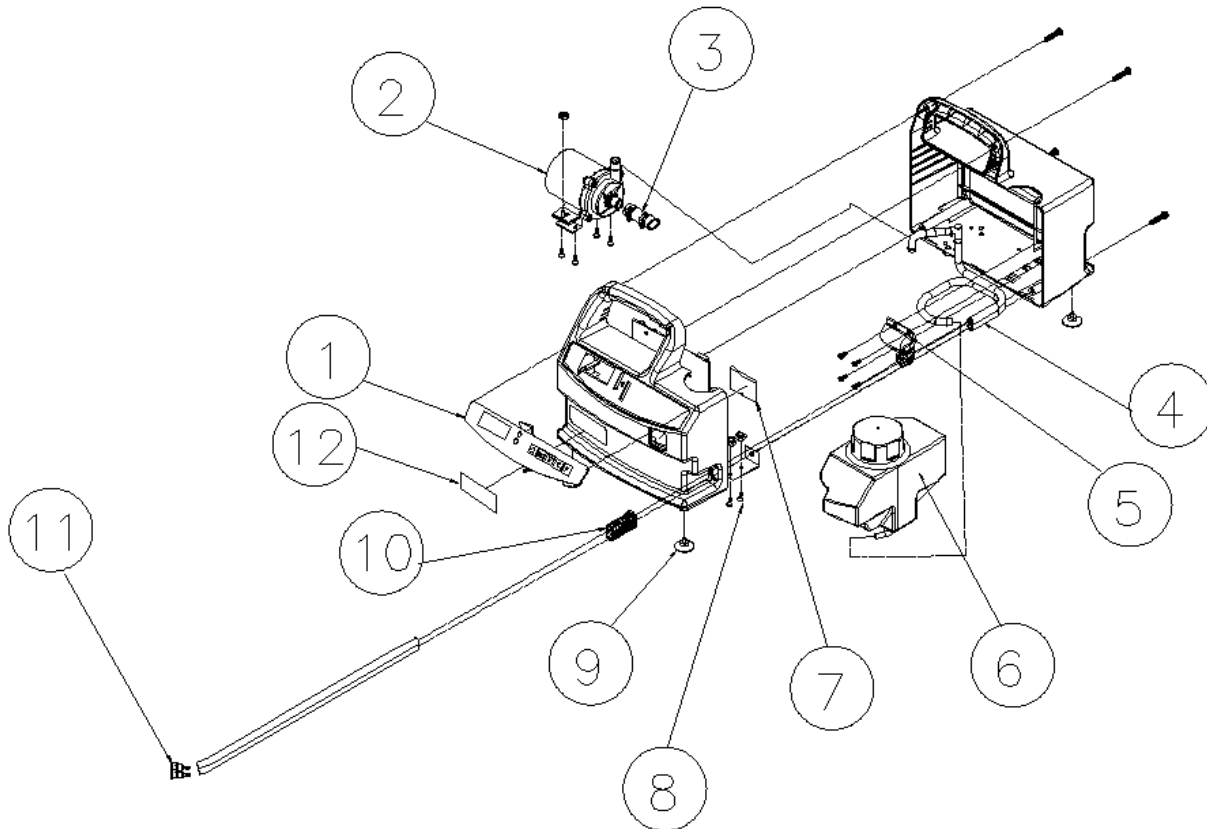


Figure 6-1 Micro-Temp® LT Unit Internal Exploded - Front View

INDEX NUMBER	I.D. NUMBER	DESCRIPTION
1	78057	Membrane Control Panel LT (100/115V)
	78058	Membrane Control Panel (230/240V)
2	91090	Pump (100V)
	91091	Pump (115V)
	91092	Pump (230/240V)
3	70817	Connecting Hose
4	70238	Twin Black Tubing (0.250 I.D.)
5	62488	Hose Guard
6	62490	Reservoir
7	78080	Sight Window
8	23027	Enclosure Bracket
9	78015	Suction Cup Feet
10	62489	Strain Relief
11	76600	Coupling (2 required)
12	55154	Exterior Logo Label

Figure 6-2 Micro-Temp® LT Unit - Parts List A

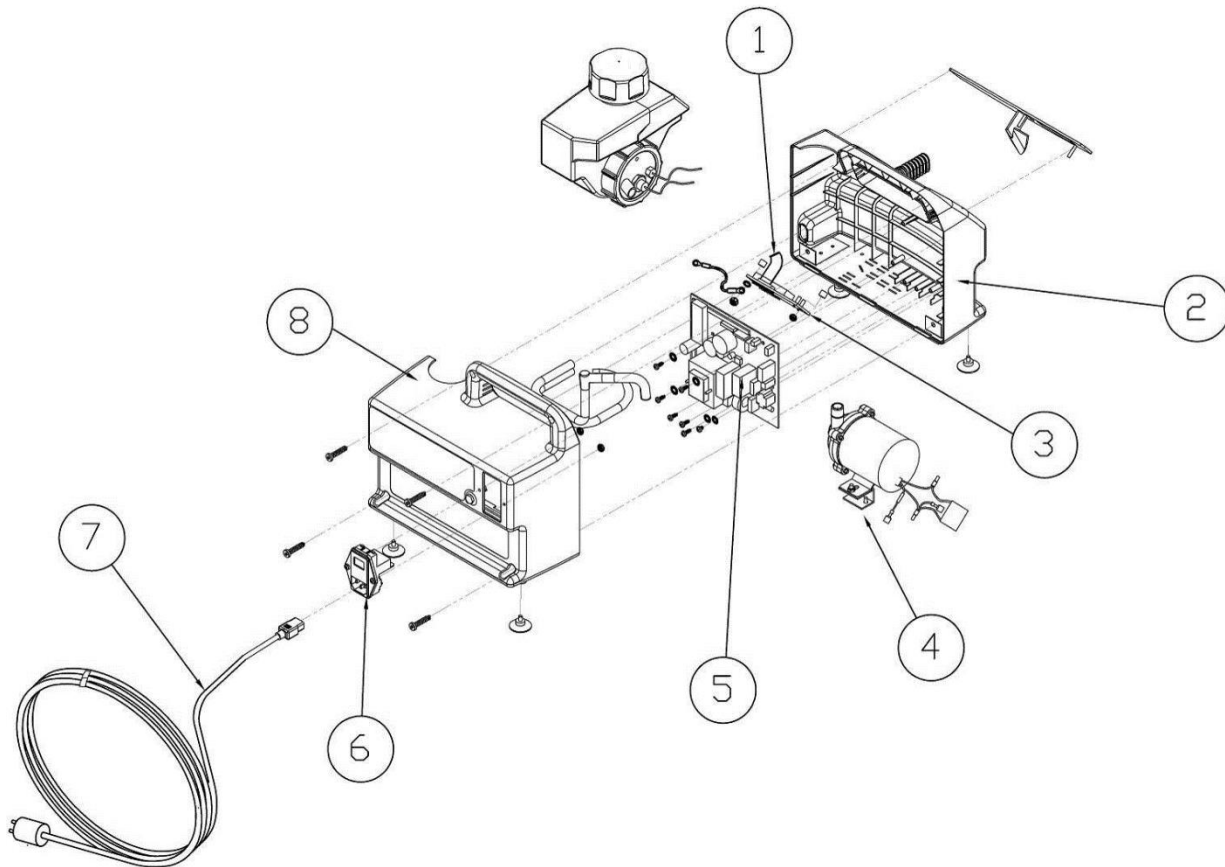


Figure 6-3 Micro-Temp® LT Unit – Internal Exploded – Rear View

INDEX NUMBER	I.D. NUMBER	DESCRIPTION
1	28352	Display Board Ribbon Cable
2	78043	Front Enclosure
3	78032	Display Board
4	23026	Pump Mounting Bracket
5	78039	Control Board
6	65150	Power Switch
7	37034	Power Cord (100/115V)
	37029	Power Cord (230/240V)
8	78044	Rear Enclosure

Figure 6-4 Micro-Temp® LT Unit - Parts List B

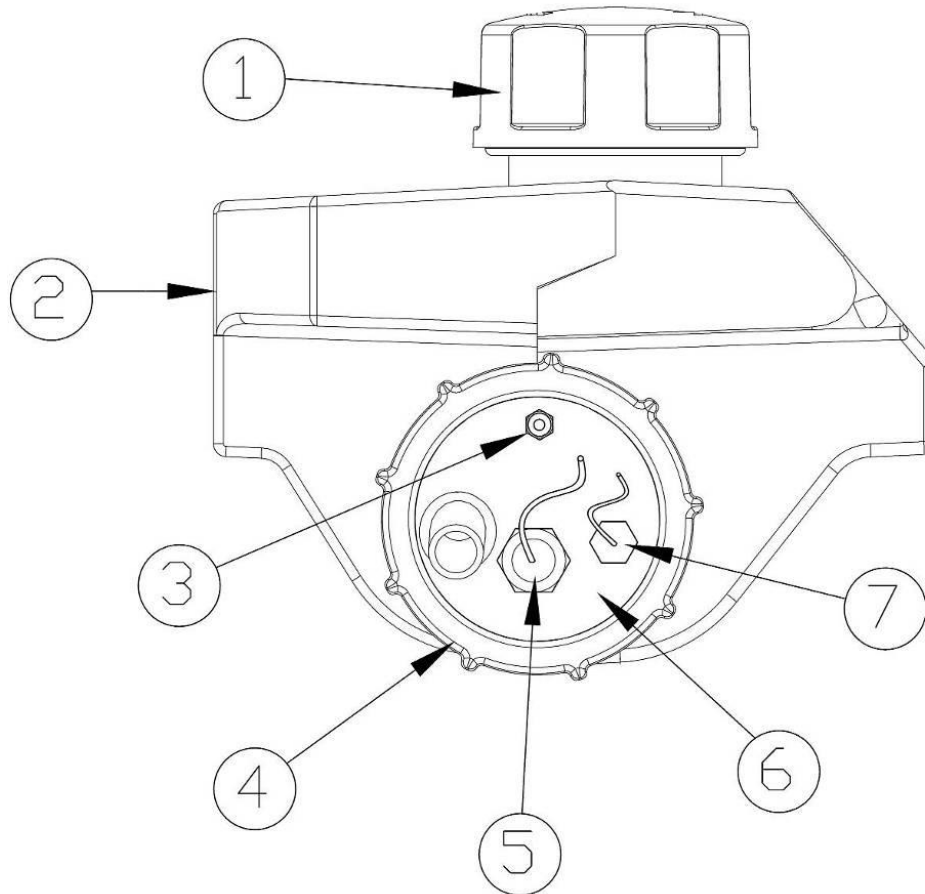


Figure 6-5 Micro-Temp® LT Unit Reservoir – Side View

INDEX NUMBER	I.D. NUMBER	DESCRIPTION
1	62491	Reservoir Cap
2	62490	Reservoir
3	65149	Water Level Sensor
4	62492	Heater Plate Cap
5	65160	Heater (100V)
	65161	Heater (115V)
	65162	Heater (230/240V)
6	62494	Heater Mounting Plate
7	41002	Thermistor
Not shown	51118	Black Rubber Reservoir Skirt
Not shown	62647	Brass Jam Nut
Not shown	62646	0.75" OD x0.45" ID Stainless Steel Washer
Not shown	60654	Rubber Washer
Not shown	51400	Brass Thermistor Fitting
Not shown	78056	O-Ring

Figure 6-6 Micro-Temp® LT Unit - Parts List C

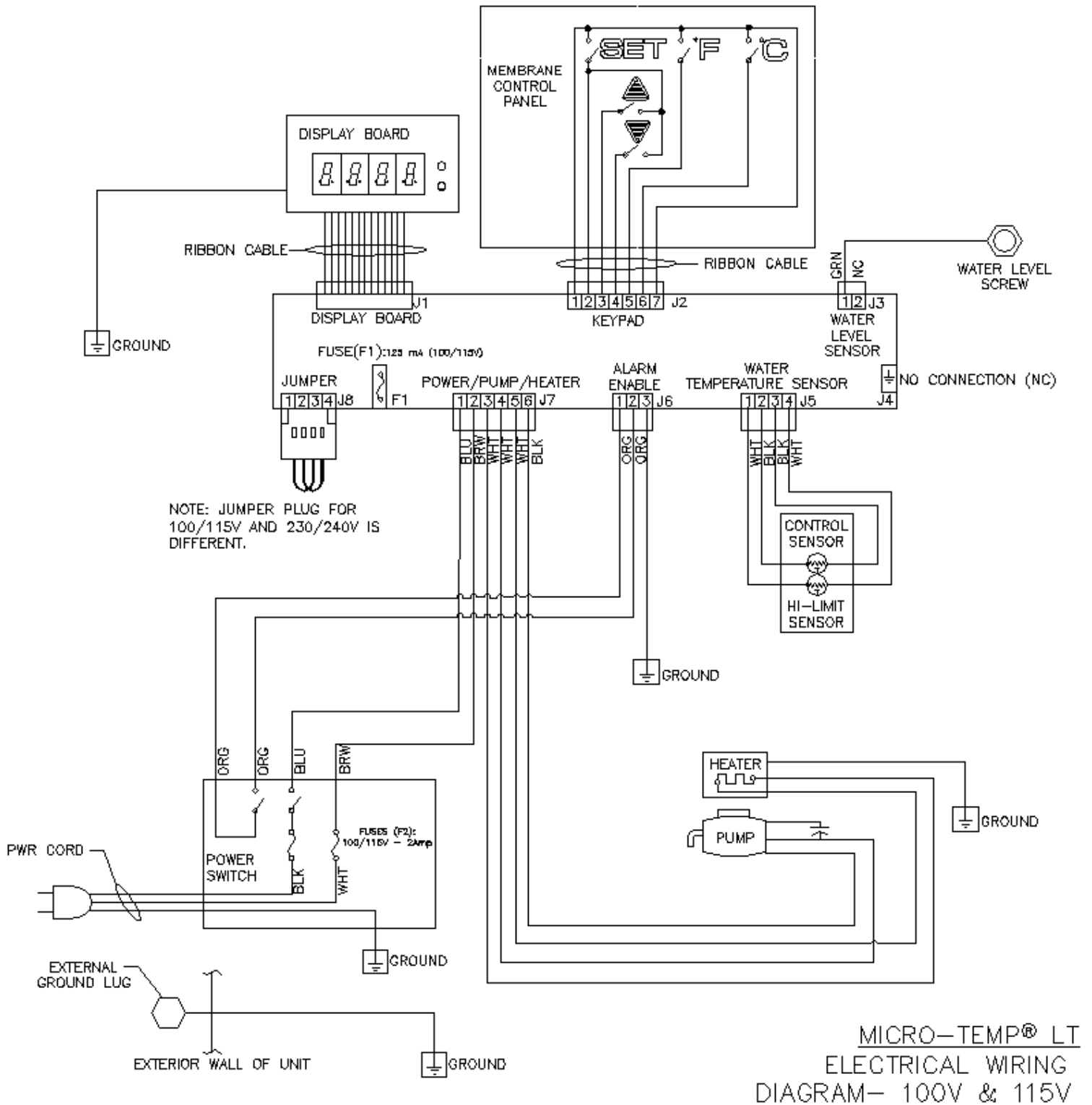


Figure 6-7.A Micro-Temp® LT Electrical Wiring Diagram – 100V/115V

OPERATION AND TECHNICAL MANUAL

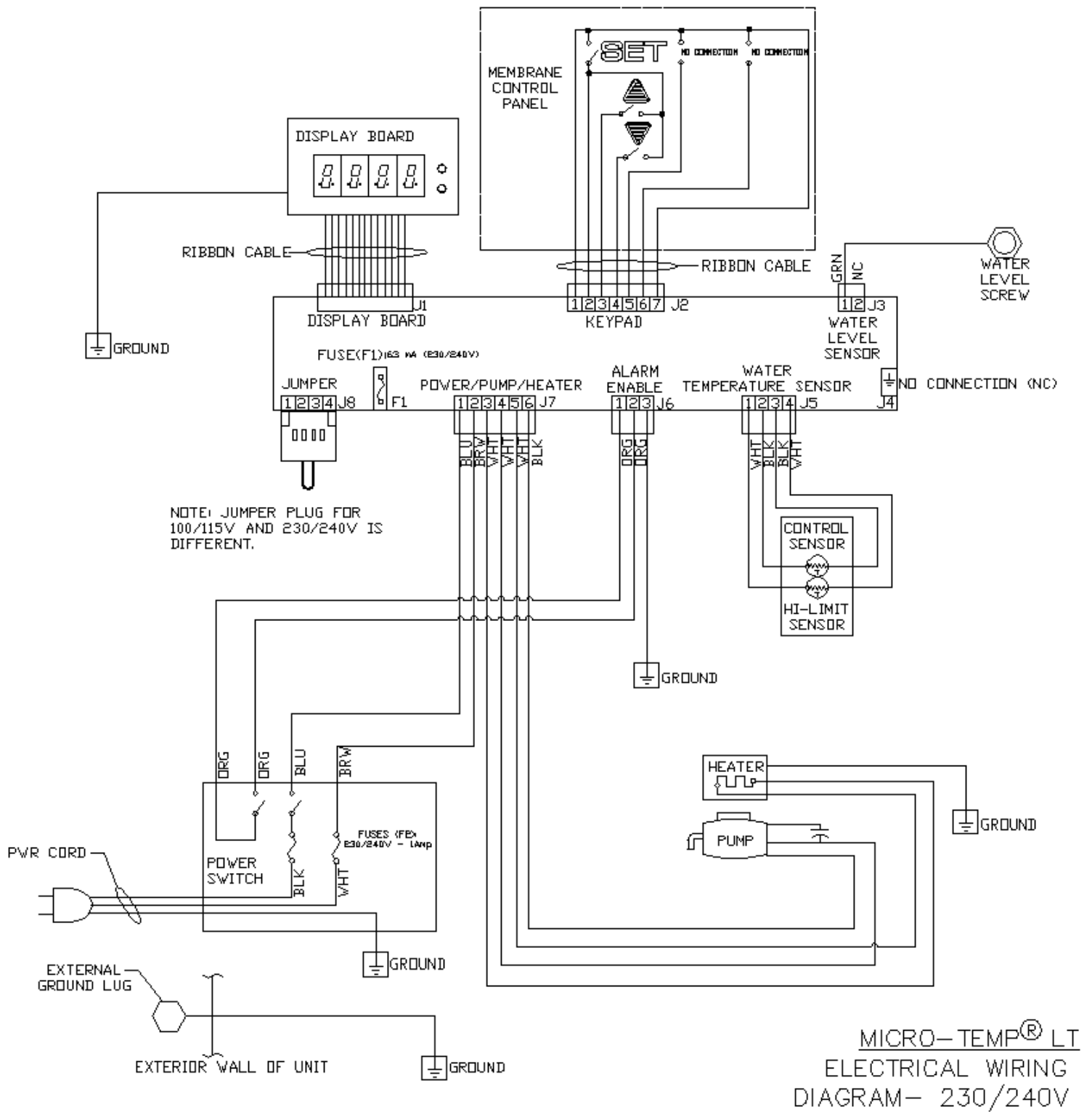


Figure 6-7.B Micro-Temp® LT Electrical Wiring Diagram – 230V/240V

ACCESSORIES - PADS

MAXI-THERM® Single-Patient Use Pads

273 Infant Size (12" x 18")

MAXI-THERM® LITE Single-Patient Use Pads

870 L.T.T. Pad (25" x 4")

871 L.T.T. Pad (25" x 17.25")

872 L.T.T. Pad (25" x 19")

873 Infant Size (12.5" x 18")

PlastiPad® Reusable Blankets

193 CPC Infant Size (12" x 18") with CPC Connector

Gelli-Roll® Pads

193P Infant Size (13" x 19.75")

Other Available Accessories

UNV LP Universal Stand



MT-081 Adapter Plate

TF100 Dual-Matic (Temperature Tester, Flow Meter)


Figure 6-8 Micro-Temp® LT System Accessories

SECTION 7. SPECIFICATIONS AND CERTIFICATIONS OF THE MICRO-TEMP® LT

MICRO-TEMP® LT MODEL 749 FEATURES

CLASSIFICATION	SAFETY SYSTEM
<p>Equipment is Class I.</p> <p>Equipment is Type BF.</p>  	<p>Maximum High Control Setting: 42°C (107°F)</p> <p>High Limit Safety: 44°C ± 0.5°C (111°F ± 1°F)</p> <p>Minimum Low Control Setting: 20°C (68°F)</p>
<p>PHYSICAL</p> <p>Dimensions: 9.8"W x 8.2"D x 9.1"H (24.9cm W x 20.8cm D x 23.1cm H)</p> <p>Weight: 9.0lbs (4.1kg) – empty with power cord attached.</p> <p>Hose Length: Approx. 8 ft (2.4m.)</p> <p>Cabinet Construction: Casing is made of Lexan 923 plastic. Single reservoir. Built-in handle. Bottom air discharge. Four suction cups.</p> <p>Ambient Temperature (during use): 20°C ± 0.5°C (68°F ± 1°F) to 35°C ± 0.5°C (95°F ± 1°F).</p> <p>Maximum Contact Surface Temperature: 41°C (105.8°F)</p>	<p>High Limit Failure Indicator: Audible & Visual</p> <p>Low Water Indicator: Visual</p> <p>Power Fail Indicator: Audible & Visual</p> <p>Tilt Switch Indicator: Audible & Visual</p> <p>>1°C Over Temp Indicator: Audible & Visual</p> <p>Water Temperature Sensor Fault Indicator: Audible & Visual</p>
<p>ELECTRICAL SYSTEM</p> <p>Electrical Characteristics: 100 V: 90VAC – 110 VAC, 1.7 amp, 50/60 Hz</p> <p>115 V: 99VAC – 127 VAC, 1.7 amp, 60 Hz</p> <p>230/240V: 207VAC – 264VAC</p> <p>Power Cord: Detachable, approx. 10 feet in length, includes a cord strap, and a 3 conductor, 16/18 AWG Hospital grade plug.</p> <p>Leakage Current: Under 300 µa (100V/115V); Under 500 µa (230V).</p> <p>Circuit Breaker: Fuse In Power Switch, Mains Supply Isolation: Two-Pole Mains Switch</p>	<p>THERMAL SYSTEM</p> <p>Heater: 150 Watts</p> <p>NOTE: The contact surface temperature shall heat up from 23±2°C to 37°C in approximately 15 minutes.</p> <p>CIRCULATING SYSTEM</p> <p>Single Reservoir, 0.24 gallon (0.9 liters) total capacity of sterile water or water that has been passed through a filter less than or equal to 0.22 microns. Permanently attached hose. Error proof, quick-disconnect fittings. Minimum flow rate of 15 GPH (56.8 L/hr).</p>

MICRO-TEMP® LT MODEL 749 FEATURES (CONT.)

<p style="text-align: center;">CONTROL SYSTEM</p> <p>Microprocessor controlled, Digital LED Read Outs, Indication Conditions</p> <p>Controller Range: Water Temp.: 20°C to 42°C (68°F to 107.6°F)</p> <p>Display Accuracy: Water Temp. ± 0.5°C (± 1°F)</p> <p>Display Range: Water Temp.: 20°C - 44°C (68°F – 111°F)</p> <p>Temp. Settings: Water Temp.: 1°C (2°F)</p>	<p style="text-align: center;">ENVIRONMENTAL CONDITIONS (during storage and transportation)</p> <p>Ambient Temperature (transportation and storage): -40°C – 65.6°C (-40°F – 150°F)</p> <p>Humidity (transportation and storage): 20% – 95%</p>
	<p style="text-align: center;">WARRANTY</p> <p>1 yr. parts (Parts and Labor if returned to GENTHERM)</p>
	<p style="text-align: center;">EXPECTED SERVICE LIFE</p> <p>5 years minimum with sterile water or water that has been passed through a filter less than or equal to 0.22 microns. (5000 hours per year)</p>
<p style="text-align: center;">CERTIFICATIONS</p> <div style="display: flex; justify-content: space-between;"> <div data-bbox="253 1150 699 1346" style="width: 60%;"> <p>MODEL 749 MEDICAL ELECTRICAL EQUIPMENT WITH RESPECT TO ELECTRIC SHOCK, FIRE AND MECHANICAL HAZARDS ONLY IN ACCORDANCE WITH UL60601-1, IEC60601-1, IEC60601-2-35, ASTM F2196-02, CAN/CSA-C22.2 No. 601.1 AND IEC60601-1-2.</p> </div> <div data-bbox="1110 1150 1360 1335" style="width: 35%; text-align: center;">  </div> </div>	

**The following tables are presented in fulfillment of the requirements of
IEC 60601-1-2**

Table 1 Guidance and Manufacturer's Declaration – Electromagnetic Emissions

The Micro-Temp [®] LT, Model 749 is intended for use in the electromagnetic environment specified below. The customer or the user of the Micro-Temp [®] LT, Model 749 should assure that it is used in such an environment.		
Emissions tests	Compliance	Electromagnetic environment – guidance
RF emissions CISPR 11	Group 1	The Micro-Temp [®] LT, Model 749 uses RF energy only for its internal function. Therefore, its RF emissions are very low and are not likely to cause any interference in nearby electronic equipment.
RF emissions CISPR 11	Class B	The Micro-Temp [®] LT, Model 749 is suitable for use in all establishments, including domestic establishments and those directly connected to the public low-voltage power supply network that supplies buildings used for domestic purposes.
Harmonic emissions IEC 61000-3-2	Class B	
Voltage fluctuations/ flicker emissions IEC 61000-3-3	Complies	

Table 2 Guidance and Manufacturer's Declaration – Electromagnetic Immunity

The Micro-Temp [®] LT, Model 749 is intended for use in the electromagnetic environment specified below. The customer or the user of the Micro-Temp [®] LT, Model 749 should assure that it is used in such an environment.			
Immunity test	IEC 60601 test level	Compliance level	Electromagnetic environment - guidance
Electrostatic discharge (ESD) IEC 61000-4-2	±6 kV contact ±8 kV air	±6 kV contact ±8 kV air	Floors should be wood, concrete or ceramic tile. If floors are covered with synthetic material, the relative humidity should be at least 30%.
Electrical fast transient/burst IEC 61000-4-4	±2 kV for power supply lines ±1 kV for input/output lines	±2 kV for power supply lines ±1 kV for input/output lines	Mains power quality should be that of a typical commercial or hospital environment.
Surge IEC 61000-4-5	±1 kV differential mode ±2 kV common mode	±1 kV differential mode ±2 kV common mode	Mains power quality should be that of a typical commercial or hospital environment.
Voltage dips, short interruptions and voltage variations on power supply input lines IEC 61000-4-11	<5% U_T (>95% dip in U_T) for 0,5 cycle 40% U_T (60% dip in U_T) for 5 cycles 70% U_T (30% dip in U_T) for 25 cycles <5% U_T (>95% dip in U_T) for 5 s	<5% U_T (>95% dip in U_T) for 0.5 cycle 40% U_T (60% dip in U_T) for 5 cycles 70% U_T (30% dip in U_T) for 25 cycles <5% U_T (>95% dip in U_T) for 5 s	Mains power quality should be that of a typical commercial or hospital environment. If the user of the Micro-Temp [®] LT, Model 749 requires continued operation during power mains interruptions, it is recommended that the Micro-Temp [®] LT, Model 749 be powered from an uninterruptible power supply or a battery.
Power frequency (50/60 Hz) magnetic field IEC 61000-4-8	3 A/m	3 A/m	Power frequency magnetic fields should be at levels characteristic of a typical location in a typical commercial or hospital environment.

Note: U_T is the a.c. mains voltage prior to application of the test level.

Table 3 Guidance and Manufacturer's Declaration– Electromagnetic Immunity that is not used for Life Support


The Micro-Temp® LT, Model 749 is intended for use in the electromagnetic environment specified below. The customer or the user of the Micro-Temp® LT, Model 749 should assure that it is used in such an environment.			
Immunity test	IEC 60601 test level	Compliance level	Electromagnetic environment - guidance
Conducted RF IEC 61000-4-6	3 Vrms 150 kHz to 80 MHz	3 Vrms	<p>Portable and mobile RF communications equipment should be used no closer to any part of the Micro-Temp® LT, Model 749, including cables, than the recommended separation distance calculated from the equation applicable to the frequency of the transmitter.</p> <p>Recommended separation distance</p> $d = 1,2\sqrt{P}$
Radiated RF IEC 61000-4-3	3 V/m 80 MHz to 2,5 GHz	3 V/m	$d = 1,2\sqrt{P} \quad 80 \text{ MHz to } 800 \text{ MHz}$ $d = 2,3\sqrt{P} \quad 800 \text{ MHz to } 2,5 \text{ GHz}$ <p>where P is the maximum output power rating of the transmitter in watts (W) according to the transmitter manufacturer and d is the recommended separation distance in meters (m).</p> <p>Field strengths from fixed RF transmitters, as determined by an electromagnetic site survey,^a should be less than the compliance level in each frequency range.^b</p> <p>Interference may occur in the vicinity of equipment marked with the following symbol:</p> 
<p>NOTE 1: At 80 MHz and 800 MHz, the higher frequency range applies.</p> <p>NOTE 2: These guidelines may not apply in all situations. Electromagnetic propagation is affected by absorption and reflection from structures, objects and people.</p>			
<p>^a Field strengths from fixed transmitters, such as base stations for radio (cellular/cordless) telephones and land mobile radios, amateur radio, AM and FM radio broadcast and TV broadcast cannot be predicated theoretically with accuracy. To assess the electromagnetic environment due to fixed RF transmitters, an electromagnetic site survey should be considered. If the measured field strength in the location in which the Micro-Temp® LT, Model 749 is used exceeds the applicable RF compliance level above, the Micro-Temp® LT, Model 749 should be observed to verify normal operation. If abnormal performance is observed, additional measures may be necessary, such as re-orienting or relocating the Micro-Temp® LT, Model 749.</p>			
<p>^b Over the frequency range 150 kHz to 80 MHz, field strengths should be less than 3 V/m.</p>			

Table 4 – Recommended Separation Distances Between Portable and Mobile RF Communications Equipment and the Micro-Temp® LT, Model 749

The Micro-Temp® LT, Model 749 is intended for use in an electromagnetic environment in which radiated RF disturbances are controlled. The customer or the user of the Micro-Temp® LT, Model 749 can help prevent electromagnetic interference by maintaining a minimum distance between portable and mobile RF communications equipment (transmitters) and the Micro-Temp® LT, Model 749 as recommended below, according to the maximum output power of the communications equipment.

Rated maximum output power of transmitter W	Separation distance according to frequency of transmitter m		
	150 kHz to 80 MHz $d = 1,2\sqrt{P}$	80 MHz to 800 MHz $d = 1,2\sqrt{P}$	800 MHz to 2,5 GHz $d = 2,3\sqrt{P}$
0,01	0,12	0,12	0,23
0,1	0,38	0,38	0,73
1	1,2	1,2	2,3
10	3,8	3,8	7,3
100	12	12	23

For transmitters rated at a maximum output power not listed above, the recommended separation distance d in meters (m) can be estimated using the equation applicable to the frequency of the transmitter, where P is the maximum output power rating of the transmitter in watts (W) according to the transmitter manufacturer.

Note 1: At 80 MHz and 800 MHz, the separation distance for the higher frequency range applies.

Note 2: These guidelines may not apply in all situations. Electromagnetic propagation is affected by absorption and reflection from structures, objects and people.

Worldwide Order Placement

<p>United States and Canada</p>	<p>Toll Free..... 1-800-989-7373</p>
--	---

Page Intentionally Left Blank

GENTHERM



Gentherm Medical, LLC.
12011 Mosteller Road
Cincinnati, OH 45241

Toll Free: 1(800) 989-7373

www.gentherm.com



Fax: (513) 772-9119